

FRIEND INNOVATIONS - Model # 037 Mailbox Support

Installation Instructions

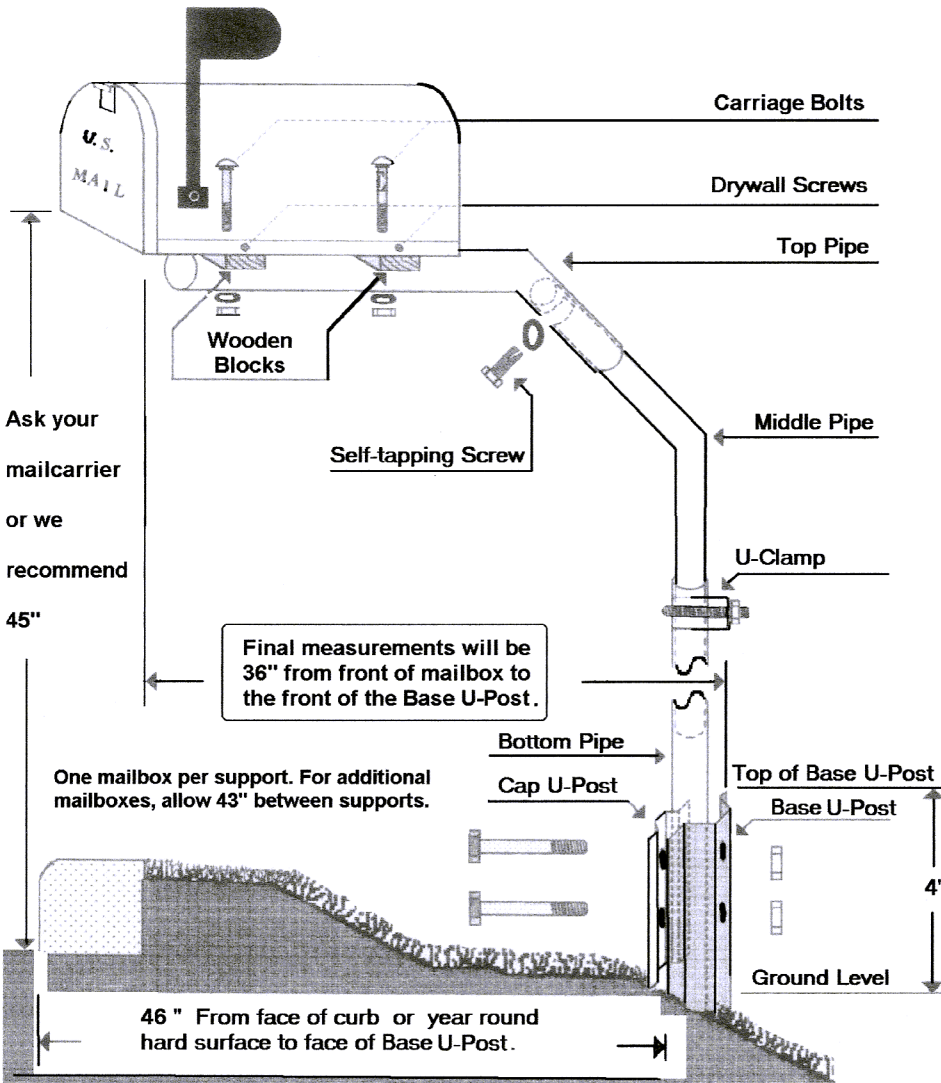
P.O. Box 16, Virginia, MN 55792

Phone/Fax/Message 218.741.7777

<http://www.mailboxsupport.com>

tom@mailboxsupport.com

(visit our website for more information including animated installation video, crash videos, etc.)



Model 037 PARTS LIST:

- 1 – Top Pipe – 1 3/4" O.D. x 36"
- 1 – Middle Pipe – 1 1/2" O.D. x 36"
- 1 – Bottom Pipe – 1 3/4" O.D. x 24"
- 1 – Cap U-Post 1.12 lbs./ft.
- 1 – Base U-Post – 31" 2 lbs. Per ft.
- 1 – Self-tapping Screw – 1/4" x 3/4" w/ No. 10 Washer
- 2 – Bolt w/Nut 5/16" x 3"
- 1 – U-Clamp Assembly w/Saddle and 2 – 3/8" Flanged Nuts
- 8 – Drywall Screws (large head)
- 2 – Carriage Bolt 1/4" x 4" w/Nut and Washer No. 10
- 2 – Wooden Blocks

Used for installation only:

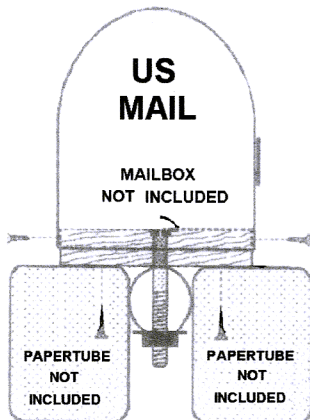
- 1 – U-Post Driver – 2" x 1 1/2" x 1/4" Angle Iron,
- 1 – Bolt, w/ Nut 5/16" x 2 1/2".
- 1 – Rubber O-Ring

For special Needs:

We are here to help! Just call or write with any questions or visit our website...

WARNING: Call before installing!

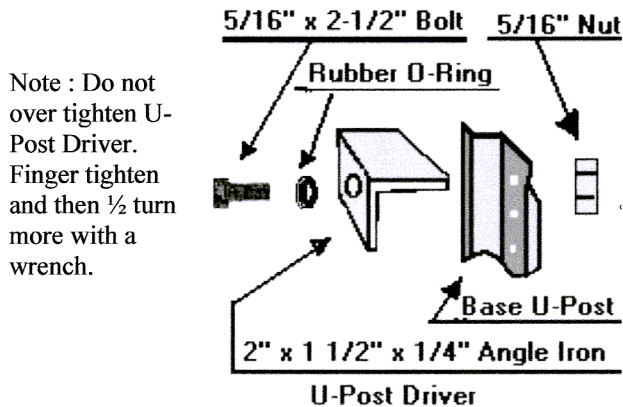
1. Buried electrical Lines, gas, steam, T.V., telephone, etc. **MAY BE HAZARDOUS OR FATAL TO YOUR HEALTH** check with your local utilities before installing the Base U-Post (in Minnesota call 1.800.252.1166).
2. Metal edges maybe sharp, wear gloves and keep children away. Also wear ear protection, safety glasses, proper clothing, and keep others away in case metal fragments



INSTALLATION INSTRUCTIONS

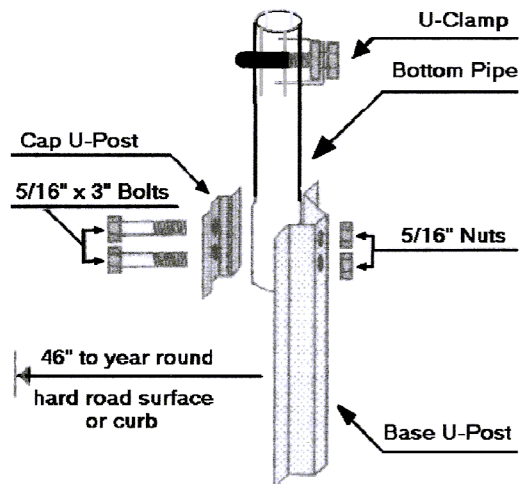
The company Friend Innovations instructions for the Friend Innovations Mailbox Support.

3. Attach U-Post Driver to 31" Base U-Post as shown below, use 8 lbs. Sledge hammer with half swings, make sure Base U-Post is going in plumb (straight up and down), leaving 4" of the Base U-Post out of the ground. Now remove U-Post Driver.



Note : Do not over tighten U-Post Driver. Finger tighten and then 1/2 turn more with a wrench.

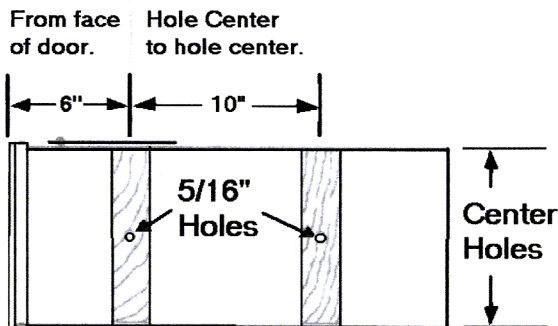
4. Attach 24" Bottom Pipe (elongated end down) and the Cap U-Post to the Base U-Post.



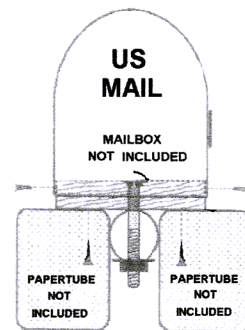
5. Center U-Clamp assembly over slots in Bottom Pipe, finger tighten. Then insert Middle Pipe (notch up).

6. Cut 2 Wooden Blocks 1/8" narrower than the bottom inside of the mailbox, then insert Wooden Blocks as shown in the drawing. Insert 4 Drywall Screws thru mailbox lip into Wooden Blocks and tighten. Now mark hole centers as shown. Using 5/16" drill bit, drill thru Wooden Blocks and the bottom of the mailbox. Be certain to cautiously remove any sharp burrs from inside of the mailbox.

Licensing available: Call for terms.



7. With the mailbox on its side, insert 2 - 1/4" x 4" Carriage Bolts thru the holes from inside of the mailbox. Next, holding the Carriage Bolt that is farthest back with your left hand and using your forearm to hold the Carriage Bolt closest to the door, with your right hand and hold the Top Pipe between the two holes, line up the two holes with the Carriage Bolts and push both Carriage Bolts thru the Top Pipe. Slide 1 - No. 10 Washer over each Carriage Bolt and tighten 1/4" Nut until the Top Pipe is set in Wooden Blocks. Note: Wood blocks will show slight indent.



8. If you have no paper tubes, go to instruction number 10

9. To install up to 2 paper tubes, use 2 Drywall Screws (w/large head) per paper tube. Hold tube under mailbox and Wooden Blocks, yet tight to the Top Pipe (as shown). Note: Paper tubes ends should go beyond end of Top Pipe. Fasten securely to Wooden Blocks (use 6" long, #2 Phillips screw driver) via existing holes in bottom of paper tubes.

10. Slide Top Pipe over Middle Pipe (slotted pipe), and insert the 1/4" x 3/4" Self-tapping Screw (with #10 washer) into the hole on the underside of the Top Pipe. Make certain the screw is set into the slot of the Middle Pipe.

11. Adjust height, point straight towards the road. If everything looks good, tighten the U-Clamp Assembly Bolts and Flange Nuts **securely**. Tightening will cause the Bottom Pipe to compress around the Middle Pipe and lock it into position.

DOOR FACE

1st 5/16th Hole

D R I L L I N G T E M P L A T E

1st 5/16th Hole

2nd 5/16th Hole