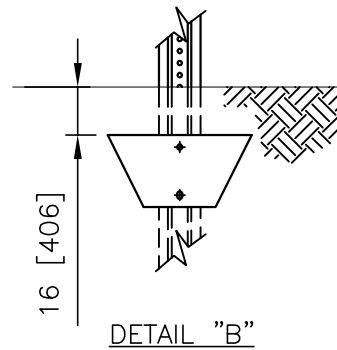
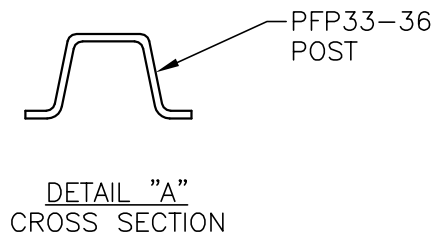
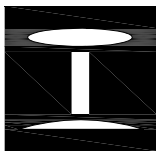


\*60 [1500] REQUIRED  
IN WEAK SOIL



2015

## FRANKLIN BASE-BOLTED SIGN SUPPORT SYSTEM



Franklin Industries Co  
Franklin, PA  
(814) 437-3726  
FAX: (814) 432-7556  
www.franklinindustriesco.com

SSP01a-c  
SHT 1 OF 3  
REVISION 4/18/2015

### INTENDED USE

The Franklin Industries base-bolted system can be used as a single (SSP01a), double (SSP01b), or triple (SSP01c) post sign support where all posts are within 84 [2100] of each other. The system may be driven in strong or weak soil and does not require a concrete foundation, however, when installed in weak soil a soil plate is required on each sign post. These systems have been crash tested in strong and weak soil and have been judged to satisfy the requirements of 1985 AASHTO Standard Specifications for Structural Supports for Highway Signs, Luminaires and Traffic Signals and the National Cooperative Highway Research Program Report 230.

### COMPONENTS

The Franklin Industries base-bolted system consists of three (3) components: a base post (PFP33-36), a sign post (PFP33-36) and the splice hardware. The splice hardware consists of two (2) 1 [25] diameter by .625 [16] thick steel spacers and bolts, washers and nuts. The splice bolts are 5/16 x 2-1/4 [8x57], grade 9. The splice hardware is cadmium plated in accordance with the requirements of ASTM A165-80, TYPE OS, except using clear chromate.

### REFERENCES

L.A. Staron "Breakaway Sign Supports" Geometric and Roadside Design Acceptance Letter, Federal Highway Administration, Washington D.C., August 31, 1989

L.A. Staron "Breakaway Sign Supports" Geometric and Roadside Design Acceptance Letter, Federal Highway Administration, Washington D.C., September 20, 19.

S.I. Sillan "Breakaway Sign Supports" Geometric and Roadside Design Acceptance Letter SS-59, Federal Highway Administration, Washington D.C., March 7, 1996

S.I. Sillan "Breakaway Sign Supports" Geometric and Roadside Design Acceptance Letter SS-67, Federal Highway Administration, Washington D.C., September 9, 1996

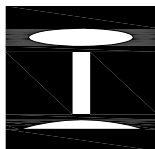
### CONTACT INFORMATION

Franklin Industries Co  
P.O. Box 671  
Franklin, PA 16323  
(814) 437-3726  
FAX: (814) 432-7556

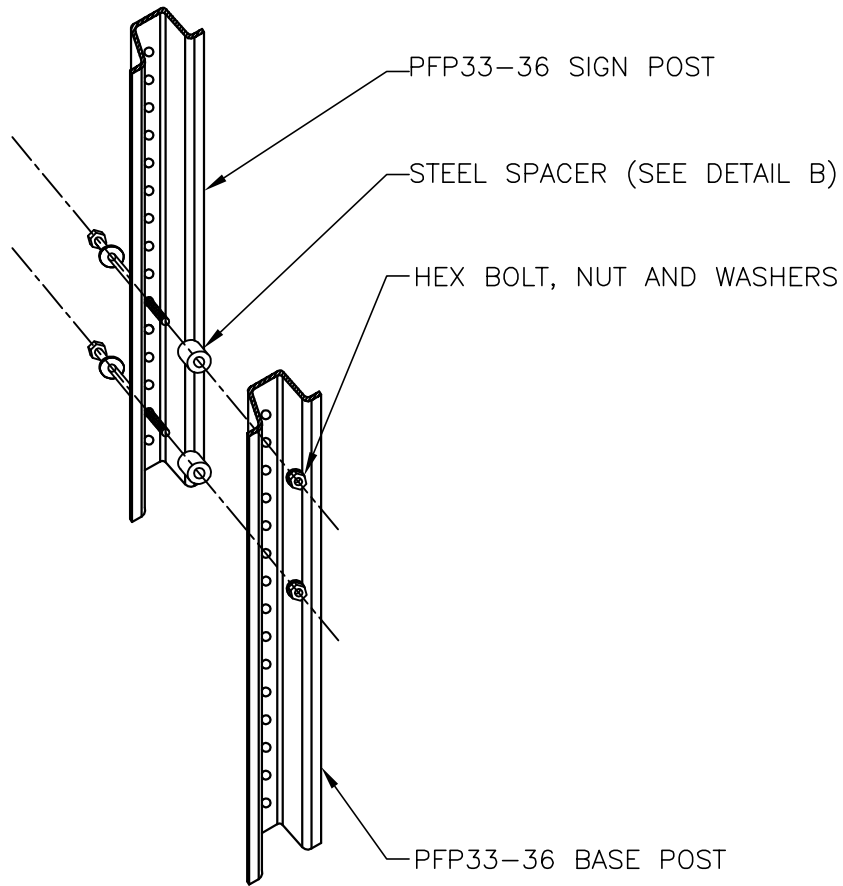
2015

## FRANKLIN BASE-BOLTED SIGN SUPPORT SYSTEM

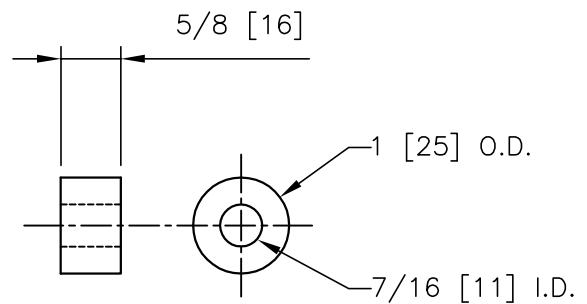
SSP01a-c  
SHT 2 OF 3  
REVISION 4/18/2015



Franklin Industries Co  
Franklin, PA  
(814) 437-3726  
FAX: (814) 432-7556  
[www.franklinindustriesco.com](http://www.franklinindustriesco.com)



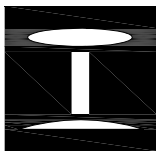
DETAIL A: SPLICE



DETAIL B: SPACER

2015

FRANKLIN BASE-BOLTED SIGN SUPPORT SYSTEM



Franklin Industries Co  
 Franklin, PA  
 (814) 437-3726  
 FAX: (814) 432-7556  
[www.franklinindustriesco.com](http://www.franklinindustriesco.com)

SSP01a-c  
 SHT 3 OF 3  
 REVISION 4/18/2015