

MODEL NO.	TYPICAL POST SIZE	L
V-LOC 350 19-VR1 SIGN SUPPORT	1.9 [45] ROUND	12 [300]
V-LOC 350 19-VR3 SIGN SUPPORT	1.9 [45]	30 [760]
V-LOC 350 23-VR1 SIGN SUPPORT	2.375 [60] ROUND	12 [300]
V-LOC 350 23-VR3 SIGN SUPPORT	2.375 [60]	30 [760]
V-LOC 350 28-VR1 SIGN SUPPORT	2.875 [73] ROUND	12 [300]
V-LOC 350 28-VR3 SIGN SUPPORT	2.875 [73]	36 [900]
V-LOC 350 175-VS1 SIGN SUPPORT	1.75 [45] SQUARE	12 [300]
V-LOC 350 175-VS3 SIGN SUPPORT	1.75 [45]	30 [760]
V-LOC 350 200-VS1 SIGN SUPPORT	2 [50] SQUARE	12 [300]
V-LOC 350 200-VS3 SIGN SUPPORT	2 [50]	30 [760]
V-LOC 350 30-VR1 SIGN SUPPORT	3 [75] ROUND	12 [300]
V-LOC 350 30-VR3 SIGN SUPPORT	3 [75]	36 [760]
V-LOC 350 20-VR1 SIGN SUPPORT	2 [50] ROUND	12 [300]
V-LOC 350 20-VR3 SIGN SUPPORT	2 [50]	30 [760]

V-LOC SIGN SUPPORT SYSTEM



TRAFFIC & PARKING CONTROL CO., INC.

SSP11A

SHEET DATE

1 of 5 2007

**SPECIFICATIONS FOR THE
V-LOC SIGN SUPPORT SYSTEM**

The foundation for the support is a "V" shaped socket, which is constructed from 1/4" [6.4mm] x 1/4" [6.4mm] steel angle and the 7/64" [2.7mm] steel plate. The angle, which is 30" [760mm] long, serves as the leg of the ground anchor. The steel plate is bent into a warped "V" shape, and is welded flush with the top of the angle to form a socket-to-soil bearing plate. One 3/4" [20mm] diameter x 7" [180mm] long hot rolled round bar extends diagonally from the corner of the "V" shaped plate to the angle. In addition to serving as a brace for the socket system, the rod also helps prevent soil from accumulating in the socket during driving. The steel plate is ASTM A-569 steel, and the angle and rod are A-36 steel.

The "V" shaped anchor is used with Round, Square, and U-Channel posts; however, a special adapter is used with the anchor when using a U-Channel post. This galvanized steel tube, following ASTM A-500B, has four holes punched in it to facilitate breakage upon impact. The adapter is attached to the U-Channel using two 7/16" [11mm] bolts. The adapter is inserted into the socket until the weakening holes are level with the top of the socket. A triangular wedge, following ASTM A-500B, is used to secure the adapter inside the socket. For a 4-1/2" [115mm] diameter signal pole, a special plate and socket are used to allow the poles to be used with the V-Loc system.

Though not tested, the square posts' section modulus, yield strength, and yield movement of the support are all less than the tested round tubes; therefore, the perforated square steel tube is also considered acceptable for use with the V-Loc socket.

INTENDED USE

The V-Loc Sign Support System can anchor Round, Square, and U-Channel posts into soil, gravel, asphalt and concrete. The V-Loc is used to support street signs; alternate uses for the V-Loc include mailbox supports, fence posts and parking meters.

V-LOC SIGN SUPPORT SYSTEM

SSP11A



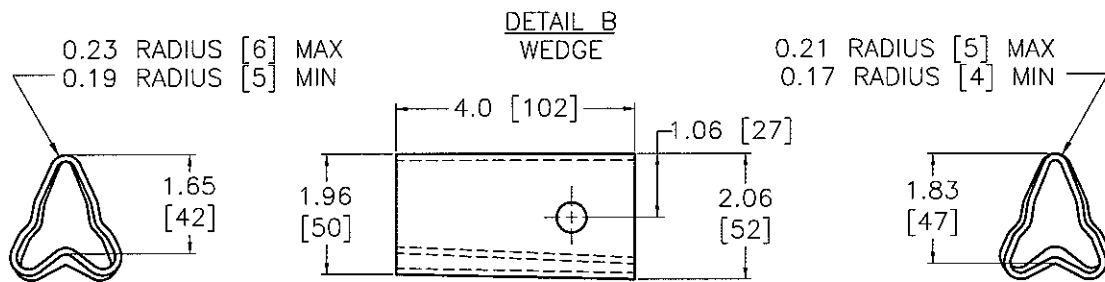
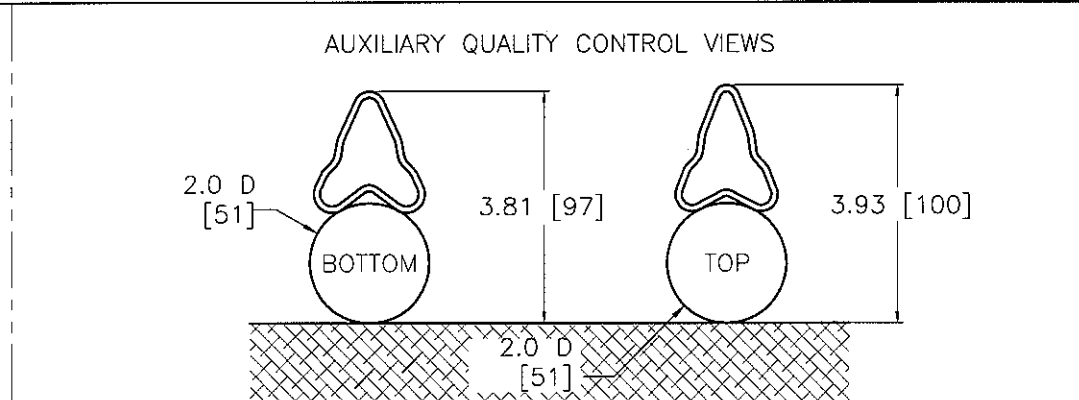
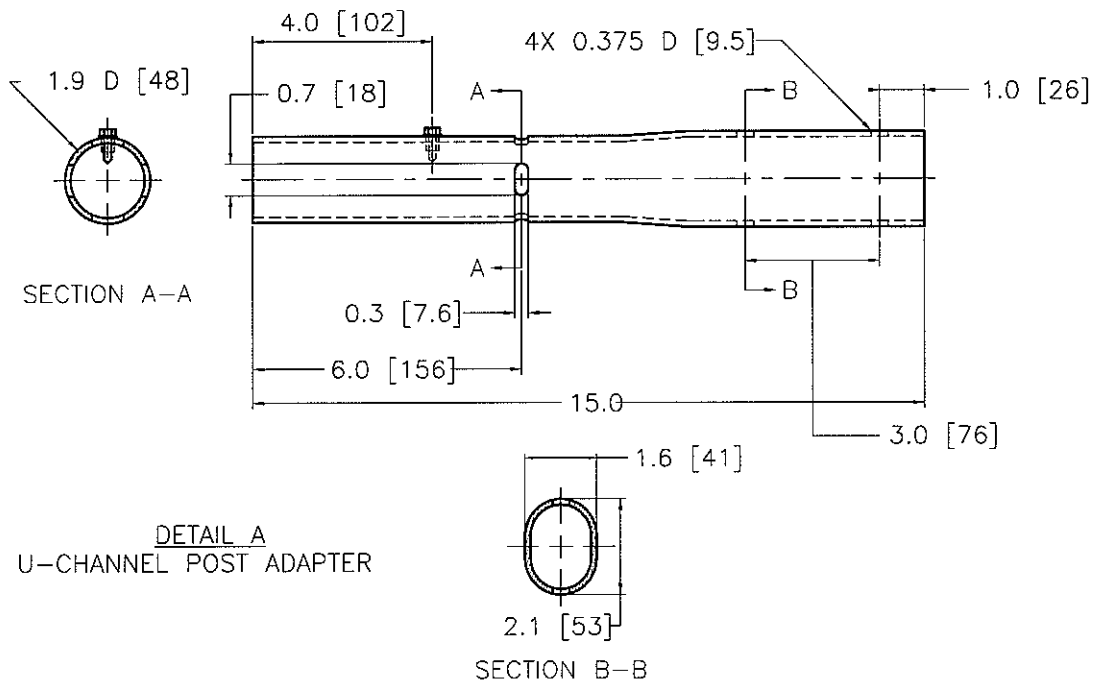
TRAFFIC & PARKING CONTROL CO., INC.

SHEET NO.

DATE

2 of 5

2007



V-LOC SIGN SUPPORT SYSTEM



TRAFFIC & PARKING CONTROL CO., INC.

SSP11A

SHEET	DATE
3 of 5	2007

APPROVALS

FHWA Accepted: SS-72, B-13
NCHRP 350 Approved
TTI Tested

CONTACT INFORMATION

Traffic and Parking and Control Company, Inc. (TAPCO)
Bryan Everard - V-Loc Division Manager
800 Wall Street
Elm Grove, WI 53122
Phone: 262-814-7337
E-Mail: bryane@tapconet.com

V-LOC SIGN SUPPORT SYSTEM

SSP11A

SHEET NO.

4 of 5

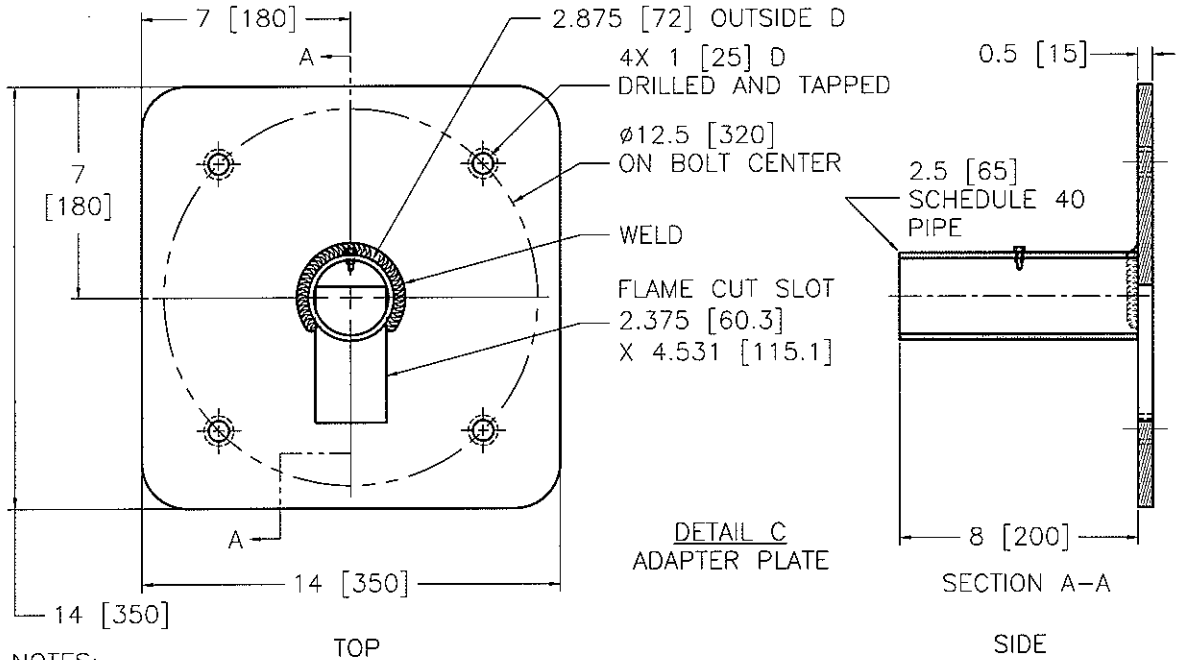
DATE

2007



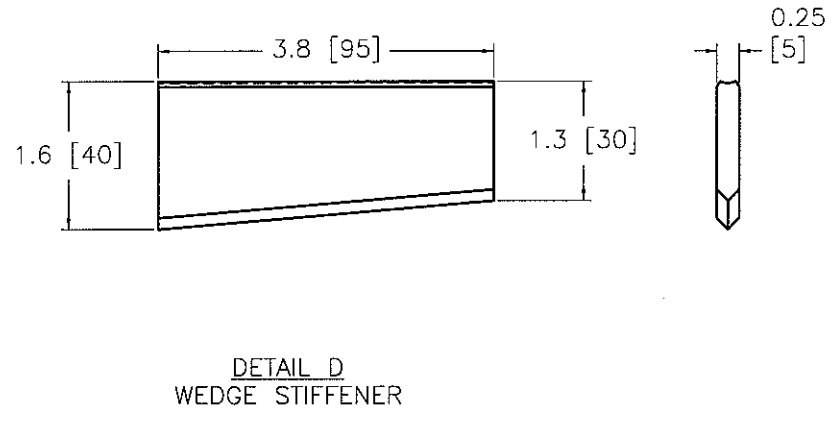
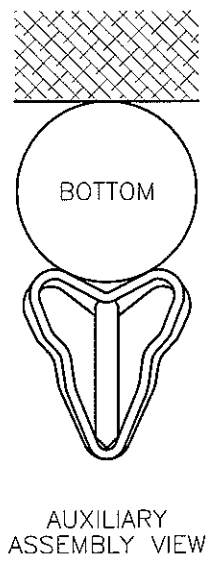
TAPCO®

TRAFFIC & PARKING CONTROL CO., INC.



NOTES:

- 1] TO BE USED WITH MODEL 28-VR3 ANCHOR
- 2] DESIGNED FOR 4.5 [115] OUTSIDE D
SCHEDULE 40 SIGNAL POLES
- 3] MUST USE WEDGE STIFFENER FOR THIS MODEL



V-LOC SIGN SUPPORT SYSTEM

TAPCO[®]
TRAFFIC & PARKING CONTROL CO., INC.

SSP11A	
SHEET	DATE
5 of 5	2007