

Redi-Torque Omni-directional Slip Base System for Round Posts



SSS09a-c

SHEET NO.	DATE
1 of 3	10/10/11

INTENDED USE

The Xcessories Squared Redi-Torque Slip Base is an omni-directional Triangular Slip Base. A cast iron Locking Wedge secures the round sign post in the cast iron Slip Base top half, eliminating that need for threaded fasteners. The Slip Base top and bottom Triangular plates shall match. Redi-Torque Hardware is used to hold the Slip Base top and bottom slip plates together. Installation does not require a torque wrench, or any specialty tools to attain tested and accepted clamping force. When properly installed, the clamping force shall be sufficient to meet or exceed the wind load capability of the sign support, while still allowing the two slip plates to disengage upon impact, below the maximum Change of Velocity allowed under NCHRP Report 350. The Redi-Torque Hardware Kit has been NCHRP Report 350 tested and FHWA Accepted.

Product can be used for multiple post installations (up to three in a 7 foot span) when required to meet NCHRP break away requirements.

COMPONENTS

The Xcessories Squared Redi-Torque Slip Base System consists of a cast iron Slip Base top (post receiver) including a triangular base plate, with a locking wedge, a fabricated steel Slip Base bottom (anchor), and Redi-Torque Hardware. The Slip Base bottom can be a stem base used for existing installations, a Unibase for new installations in concrete, or a winged Unibase for new installations in soil.

- A Redi-Torque Hardware Set
- B Slip Base Top with Locking Wedge
- C-1 Uni-Base Anchor for concrete installation
- C-2 Stem Base mount for existing installation
- C-3 Winged Uni-Base Anchor for soil installation

APPROVALS

FHWA Acceptance Letter SS-134, 5/9/06.
FHWA Acceptance Letter SS-134a, 7/25/07.

CONTACT INFORMATION

Xcessories Squared Development & Mfg., Inc.
P.O. Box 135
Auburn, IL 62615
800-621-7948
www.x-sqrd.com

Redi-Torque Omni-directional Slip Base System for Round Posts

SSS09a-c

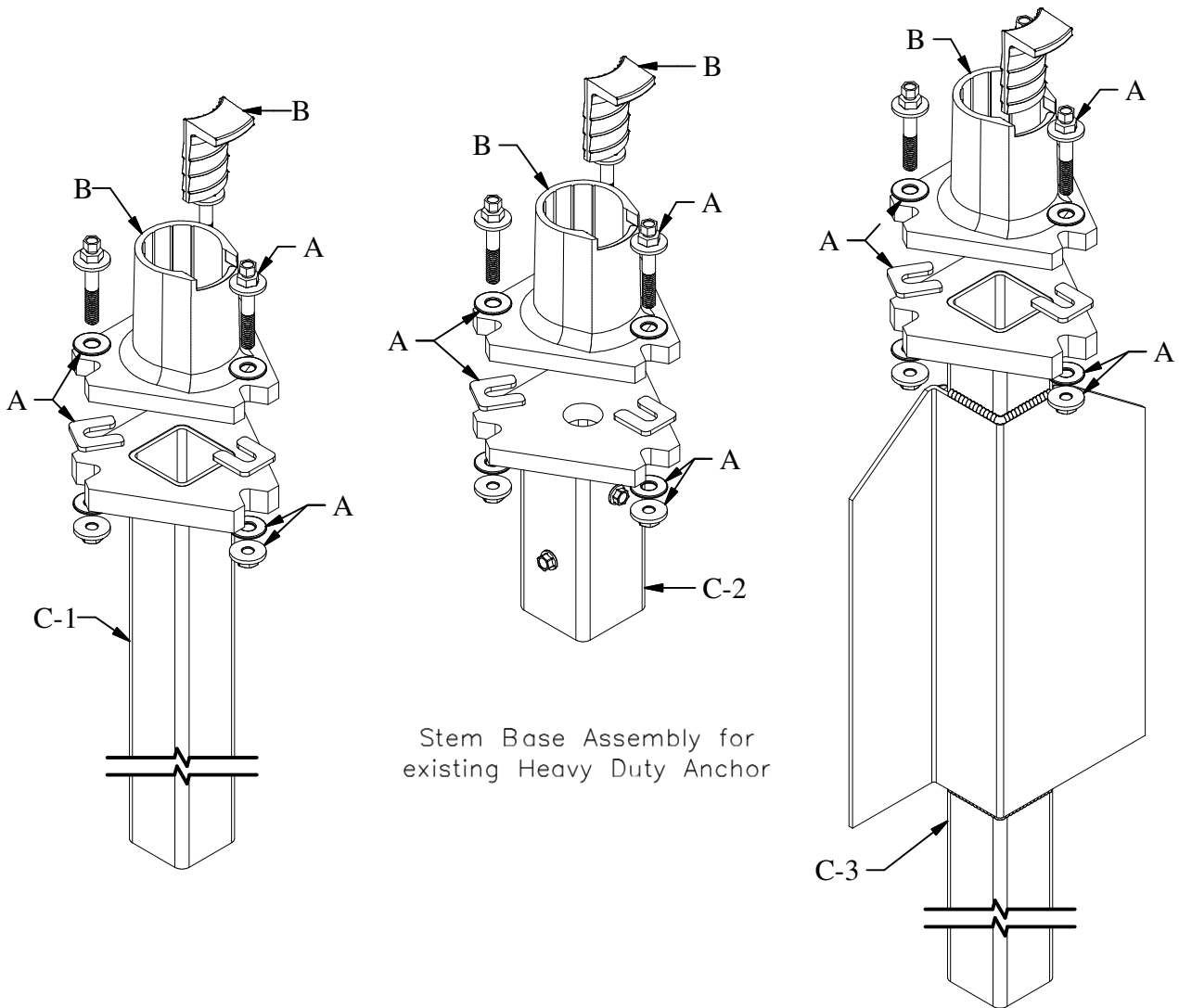
SHEET NO.

DATE

2 of 3

10/10/11





Assembly for
Concrete Installation

Stem Base Assembly for
existing Heavy Duty Anchor

Assembly for
Soil Installation

Note: Cast Round Top (B) is available for 10-3/8 [264] Slip Plate sizes to accommodate 2-1/2 pipe posts (2-7/8 OD).
Bottom Half (C-1, C-2, or C-3) of Triangular Slip Base is available in 10-3/8 [264] sizes.
The same Redi-Torque matchplate hardware kit is used with all assemblies.

Redi-Torque Omni-directional Slip Base System for Round Posts



SSS09a-c

SHEET NO.	DATE
3 of 3	10/10/11