

Multi-directionally Activated Sign Support Hardware System



SSS21a-b	
SHEET NO.	DATE
1 of 3	11/15/19

## INTENDED USE

The Xcessories Squared Multi-directionally Activated Sign Support Hardware System may be used in place of many sign assembly installations that would typically use beam posts. The system is unique because it contains an Xcessories Squared omni-directional slip base assembly and an omni-directional hinge assembly. It is designed to hold a 4" by minimum 8ga solid wall square steel post. When properly installed, the clamping force of the slip base hardware holds the slip base top half to the slip base bottom half to meet or exceed the wind load capability of the sign support, while still allowing the two matching slip plates to disengage upon impact, below the maximum Change of Velocity allowed under MASH TL3 requirements. For multiple post installations, a sign post hinge assembly attaches between the bottom sign post and top sign post, just beneath the sign panel, and allows the bottom post to bend/pivot out of the way of an impacting vehicle.

Product was tested using a 2 post installation (spaced at 96 inch [2438 mm] apart) and met the MASH TL3 break away requirements.

The product is known as the MASSH-400 Sign Support Structure.

## COMPONENTS

The Xcessories Squared Multi-directionally Activated Sign Support Hardware System consists of a triangular slip base bottom anchor, slip base match plate hardware, a triangular slip base sign post receiver, a multi-directionally activated sign hinge assembly, sign panel bracket assemblies to hold sign panels, and solid wall square steel tube sign posts all from Xcessories Squared. The unibase anchor installs into a concrete footer. The bottom sign post and top sign post attaches to the sign post hinge using structural threaded bolts, washers, and nuts.

- A Slip Base Match Plate Hardware Set
- B Slip Base Top - Sign Post Receiver
- C Uni-Base Anchor for concrete installation
- D Multi-directionally Activated Sign Hinge Assembly
- E Sign Panel Bracket Assembly
- F Sign Post Hardware Set
- G Square Sign Post

## APPROVALS

FHWA Eligibility Letter SS-180 revised May, 21, 2019.

## CONTACT INFORMATION

Xcessories Squared Development & Mfg., Inc.  
P.O. Box 135  
Auburn, IL 62615  
800-621-7948  
www.x-sqrd.com

### Multi-directionally Activated Sign Support Hardware System

SSS21a-b

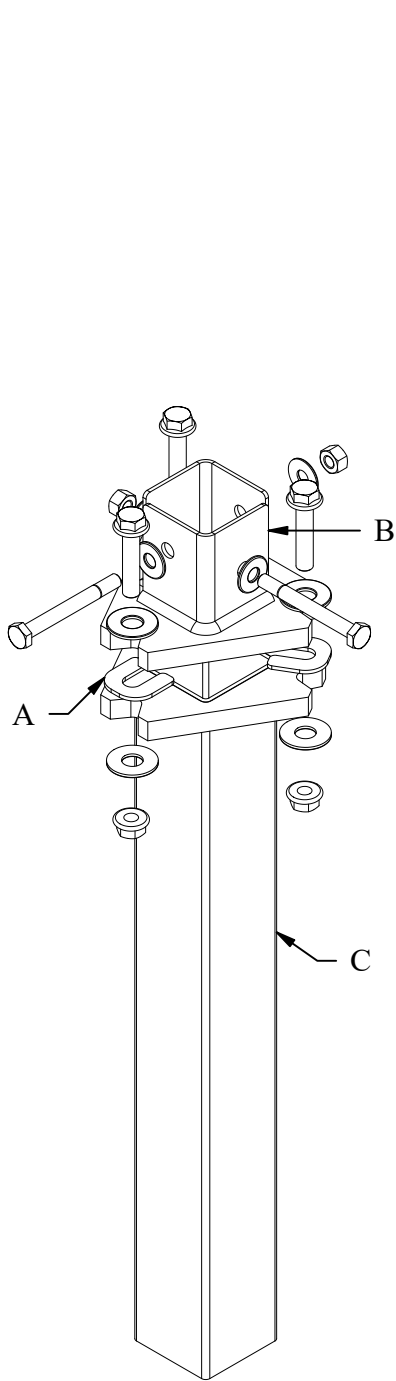
SHEET NO.

DATE

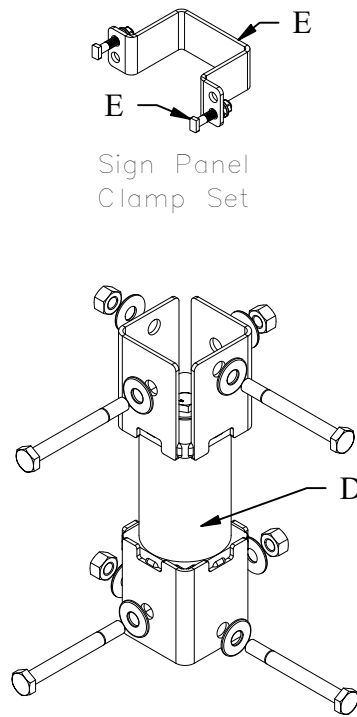
2 of 3

11/15/19



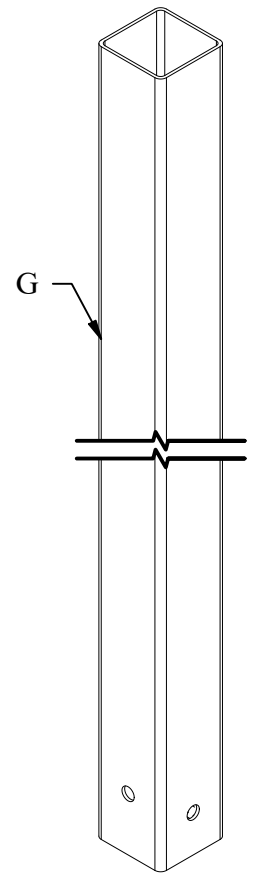


Complete Slip Base  
Assembly for  
Concrete Installation

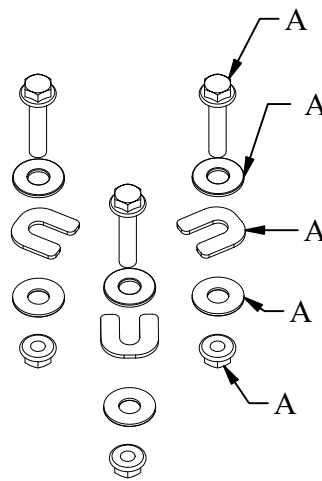


Sign Panel  
Clamp Set

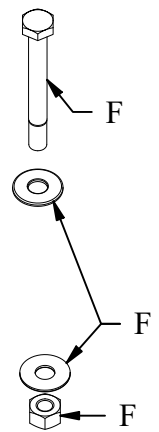
Multi-directionally  
Activated  
Sign  
Support  
Hinge



Square Sign Post



Slip Base Match  
Plate Hardware Set



Sign Post  
Hardware Set

Multi-directionally Activated Sign Support Hardware System



SSS21a-b

SHEET NO.	DATE
3 of 3	11/15/19