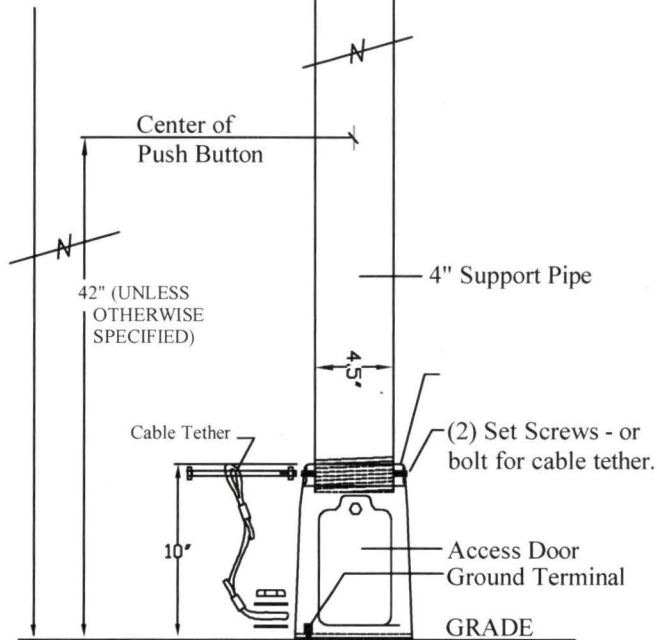
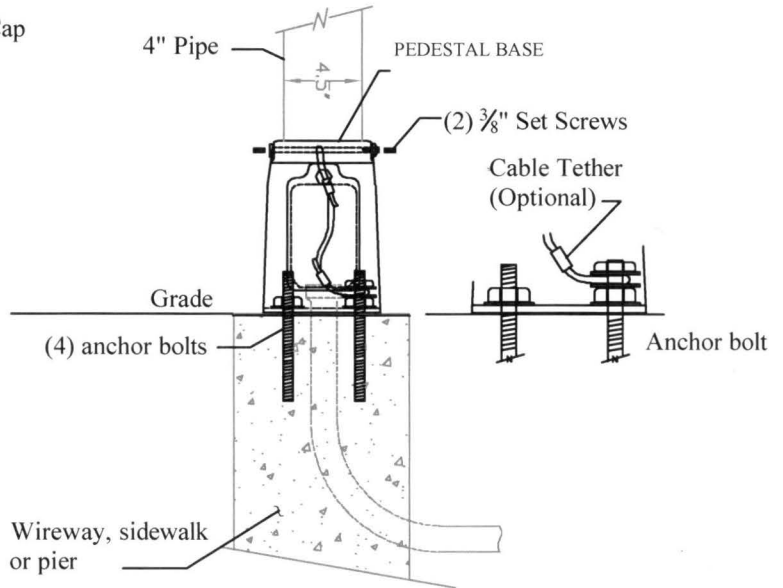


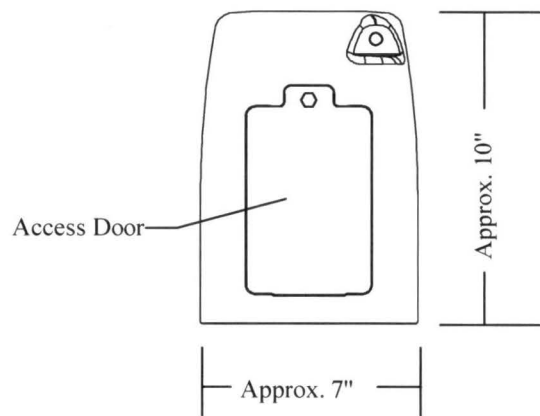
- 15' PIPE 15'-9 1/2"± HIGH
- 14' PIPE 14'-9 1/2"± HIGH
- 13' PIPE 13'-9 1/2"± HIGH
- 12' PIPE 12'-9 1/2"± HIGH
- 11' PIPE 11'-9 1/2"± HIGH
- 10' PIPE 10'-9 1/2"± HIGH
- 9' PIPE 9'-9 1/2"± HIGH
- 8' PIPE 8'-9 1/2"± HIGH
- 7' PIPE 7'-9 1/2"± HIGH
- 6' PIPE 6'-9 1/2"± HIGH
- 5' PIPE 5'-9 1/2"± HIGH
- 4' PIPE 4'-9 1/2"± HIGH



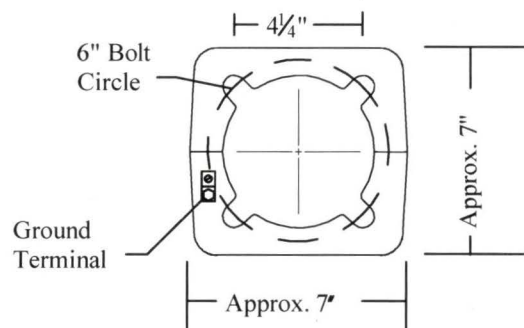
CROSSWALK - SIGNAL PEDESTAL ASSEMBLY



BASE MOUNTING



BASE SIDE VIEW



BASE BOTTOM VIEW

NOT TO SCALE

HARDWARE MEETS OR EXCEEDS STATE SPECIFICATIONS

FREY
 Manufacturing Corp.
 www.FreyMfgCorp.com
 Made in USA
 Patent 9493918 Phone: 952-467-4402

CROSSWALK - SIGNAL PEDESTAL HEIGHTS
 FOR
 VARIOUS LENGTHS OF 4" PIPES
 CATALOG #: CP6 SERIES

| DATE | DWG. NO. | REV. |
|----------|--------------|----------|
| 04-19-18 | 8.5.0 | 1 |