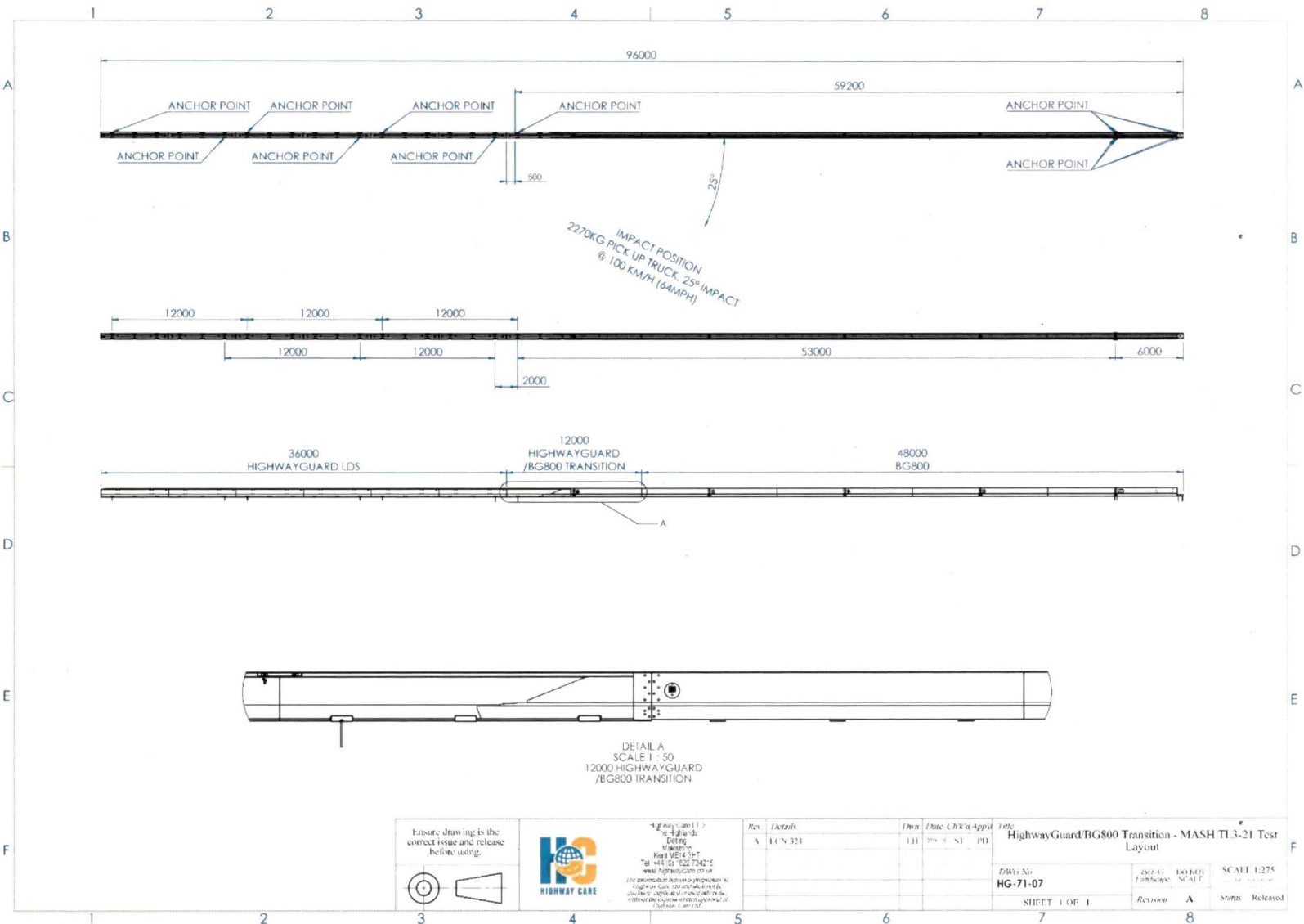
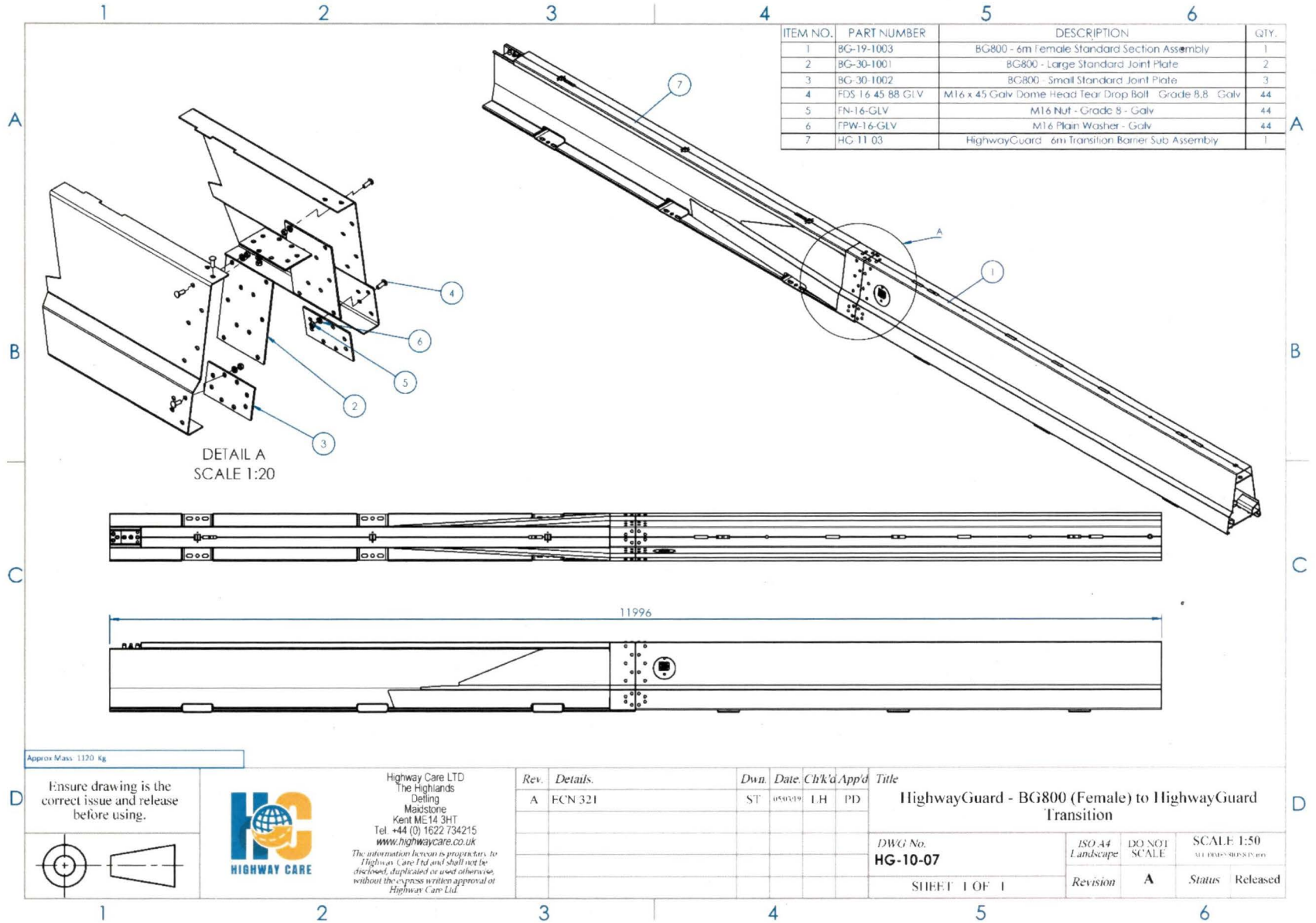


Annex A. General test item arrangement





ITEM NO.	PART NUMBER	DESCRIPTION	QTY.
1	BG-19-1003	BG800 - 6m Female Standard Section Assembly	1
2	BG-30-1001	BG800 - Large Standard Joint Plate	2
3	BG-30-1002	BG800 - Small Standard Joint Plate	3
4	FDS 16 45 88 GLV	M16 x 45 Galv Dome Head Tear Drop Bolt - Grade 8,8 Galv	44
5	FN-16-GLV	M16 Nut - Grade 8 - Galv	44
6	FPW-16-GLV	M16 Plain Washer - Galv	44
7	HC-11-03	HighwayGuard - 6m Transition Barrier Sub Assembly	1

Approx Mass: 1120 Kg

D
Ensure drawing is the correct issue and release before using.



Highway Care LTD
The Highlands
Delling
Maidstone
Kent ME14 3HT
Tel: +44 (0) 1622 734215
www.highwaycare.co.uk
The information herein is proprietary to Highway Care Ltd and shall not be disclosed, duplicated or used otherwise without the express written approval of Highway Care Ltd.

Rev.	Details.	Dwn.	Date.	Ch'k'd.	App'd.	Title
A	FCN 321	ST	05/03/09	LH	PD	HighwayGuard - BG800 (Female) to HighwayGuard Transition
						DWG No. HG-10-07
						SHEET 1 OF 1

ISO A4 Landscape	DO NOT SCALE	SCALE 1:50
Revision	A	Status Released