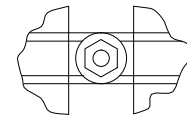
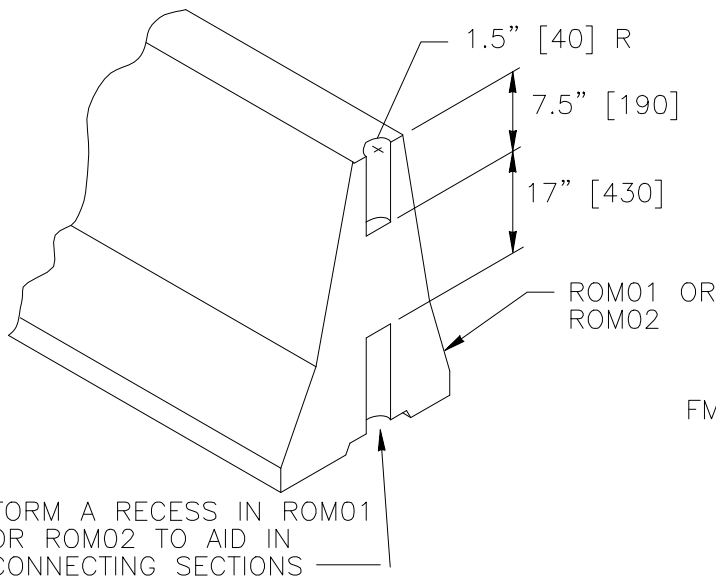
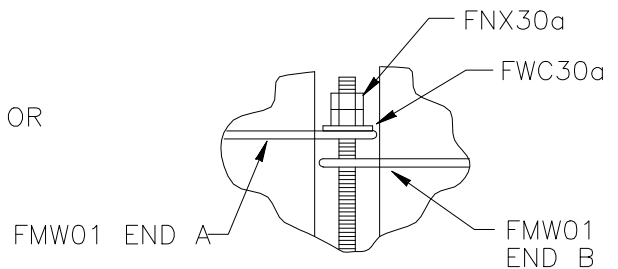


ELEVATION



CONNECTION PLAN



CONNECTION ELEVATION

DETAIL A: CONNECTION

1994

PIN & REBAR PORTABLE CONCRETE BARRIER

SWC04

SHEET NO.

DATE

1 of 2

10/31/2013