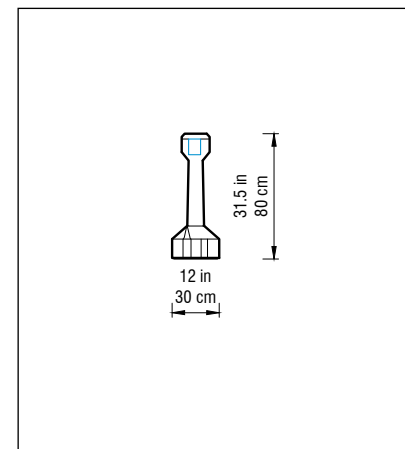
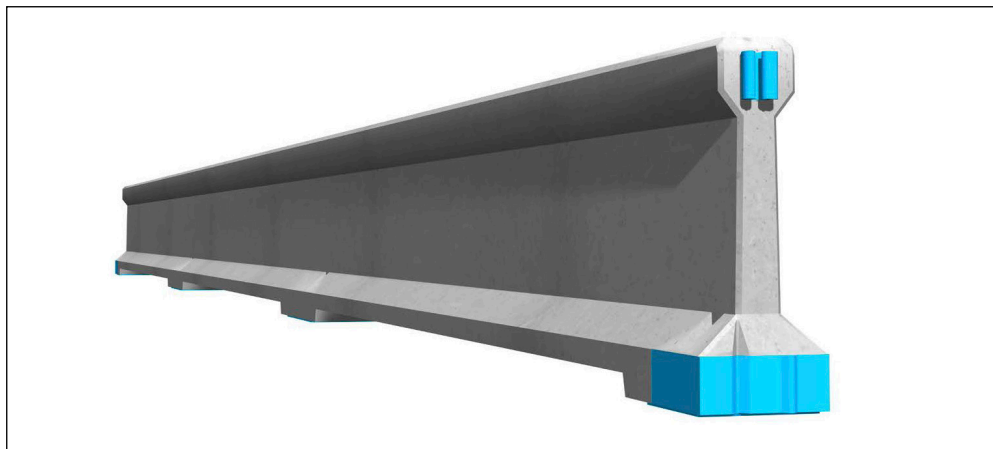
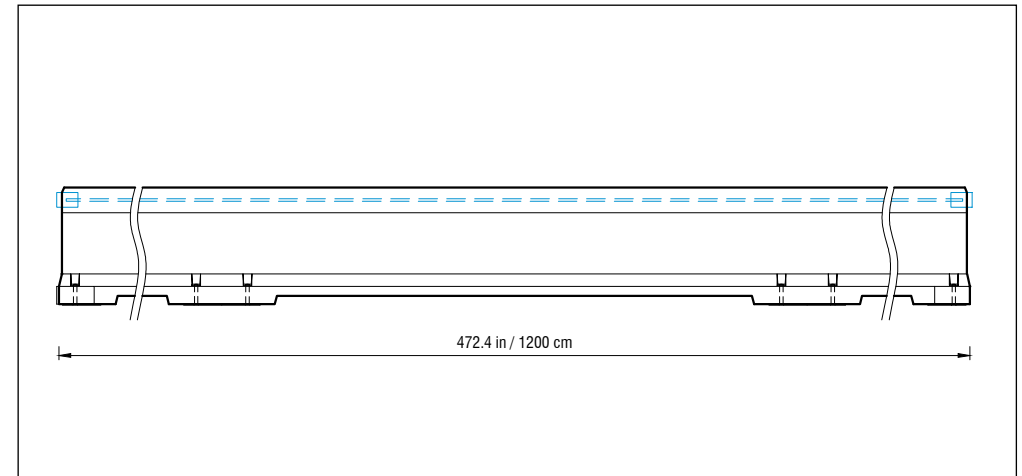
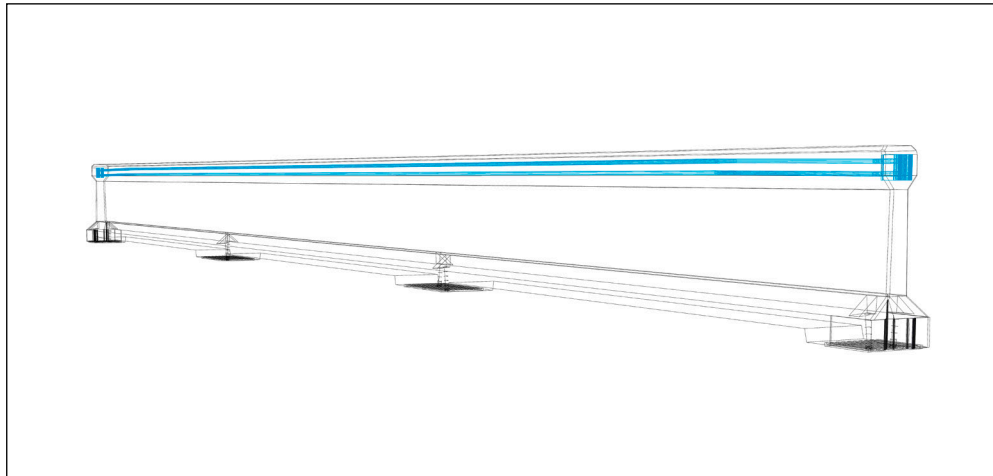


# REBLOC 80SAH\_12

Temporary System - standard element



<b>Element</b>	80SAH_12
<b>Dimensions</b>	472 1/2" x 12" x 31 1/2" (1200 x 30 x 80 cm)
<b>Weight/element</b>	7496 lb (3400 kg)
<b>Material</b>	Concrete 5000 psi
<b>Date</b>	2021-03-16

The element is connected by the integrated coupling, located at the face of the element.