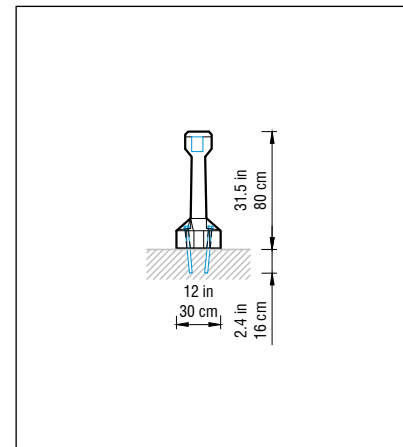
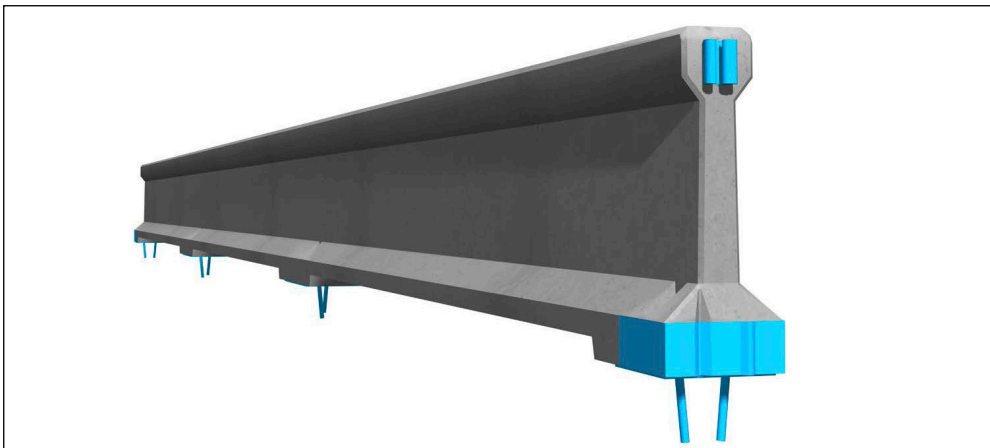
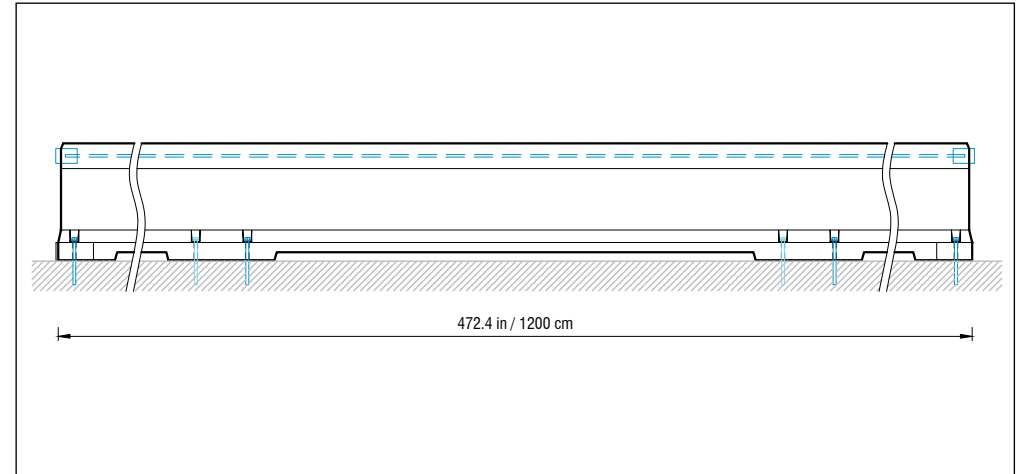
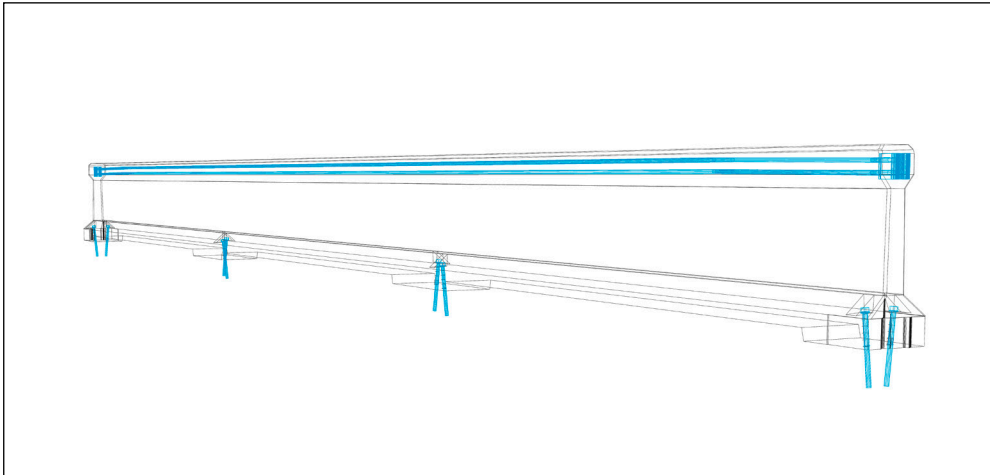


REBLOC 80SAH_12_8B

Temporary System - standard element



The element is connected by the integrated coupling, located at the face of the element.

Element	80SAH_12_8B
Dimensions	472 1/2" x 12" x 31 1/2" (1200 x 30 x 80 cm)
Weight/element	7496 lb (3400 kg)
Material	Concrete 5000 psi
Date	2021-03-16