

ENERGY ABSORPTION
SYSTEMS INC

SWM01

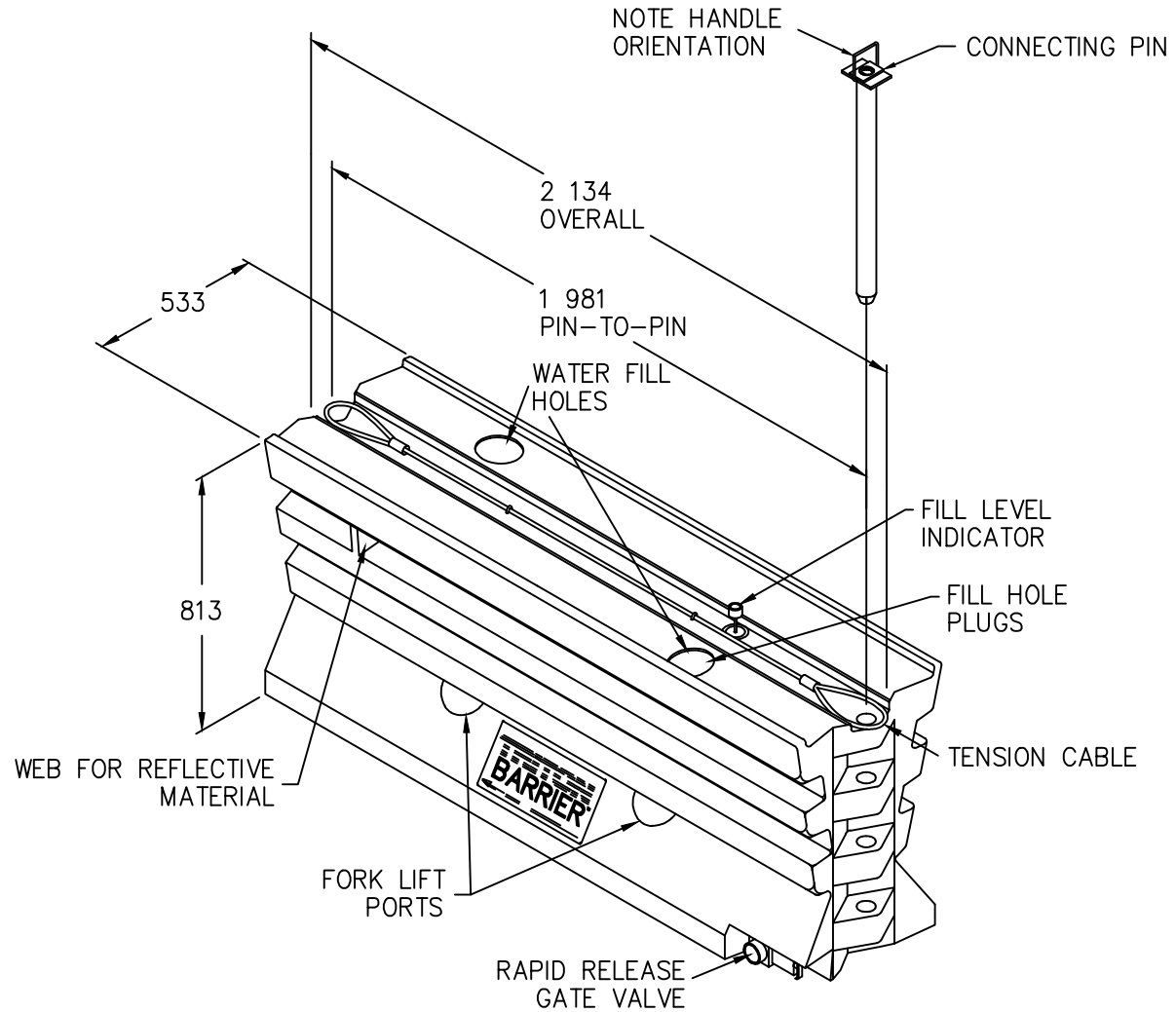
SHEET NO.

1 OF 2

REF NO.

TRITON BARRIER®

1994



CONTACT THE MANUFACTURER FOR:

- OPTIONAL ACCESSORIES
- TRANSITIONS TO OTHER BARRIERS
- PERFORMANCE CHARACTERISTICS
- DETAILS REGARDING USING TRITON AS ITS OWN STAND-ALONE NCHRP 350 END TERMINAL.
- CONNECTABLE & INTERLOCKING
- STACKABLE
- LARGE FILL OPENINGS
- SAFETY ACCESSORIES AVAILABLE