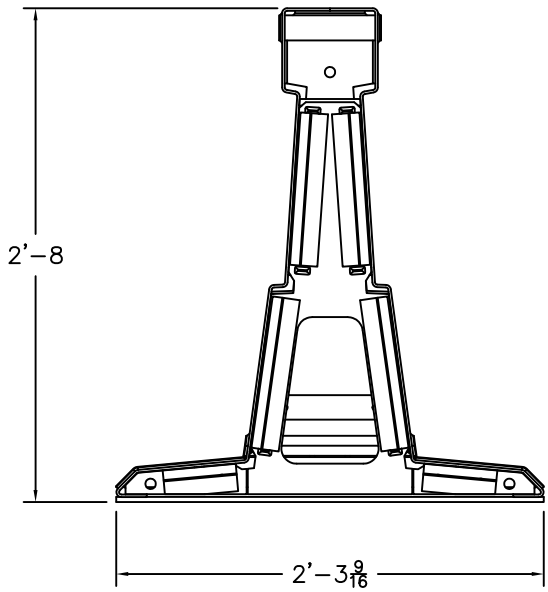


ISOMETRIC



PROFILE

ZONEGUARD® PORTABLE STEEL BARRIER



SWM10

| | |
|-----------|---------|
| SHEET NO. | DATE: |
| 1 of 2 | 10/1/13 |

INTENDED USE

Zoneguard is a portable barrier system that can be used in both temporary or permanent applications, and provides positive protection for construction crews in work zones. Zoneguard has been deemed eligible by the FHWA for Federal Aid Reimbursement as an NCHRP 350 TL-3 & TL-4 and MASH TL-3 longitudinal barrier.

Zoneguard's rigid cross-section and low center of gravity enable deflections which are comparable to traditional forms of positive protection devices. Zoneguard's patented speed joint technology creates a tight connection point between units and permits quick installation.

Each standard 50'-0 unit weighs just over 3,000 lbs., which allows 750 linear feet to be transported on one trailer enabling rapid deployment. Additionally, Zoneguard's light weight means reduced dead load on bridge installations.

Zoneguard is made in the USA from carbon steel and is hot dip galvanized after fabrication.

ELIGIBILITY LETTERS

B-176 Dated 6/27/08 Standard Units to NCHRP 350 TL3 & TL4
B-176A Dated 7/17/08 Standard Units to MASH TL3
B-220 Dated 5/3/11 Expansion Units to NCHRP 350 TL-3

CONTACT INFORMATION

Hill & Smith, Inc.
987 Buckeye Park Road
Columbus, Ohio 43207
614-340-6294
www.hillandsmith.com

ZONEGUARD[®] PORTABLE STEEL BARRIER

SWM10

SHEET NO.

DATE:

2 of 2

10/1/13

