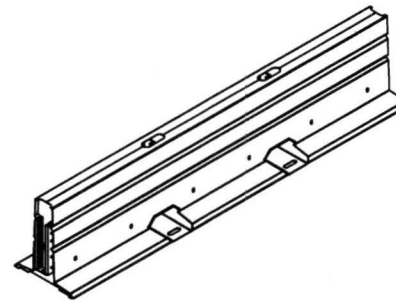
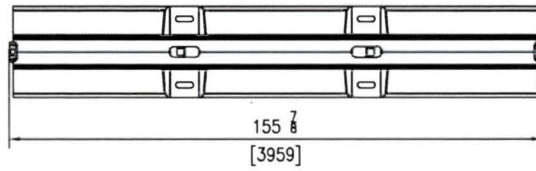
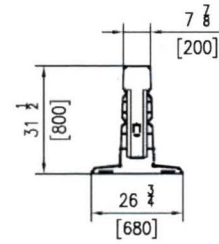


Effective Barrier Length 3900mm



Steel Barrier Segment

SAFE BARRIERS

www.safebarriers.com

D100HC

SHEET NO.	DATE:
1 of 6	4 Oct 17