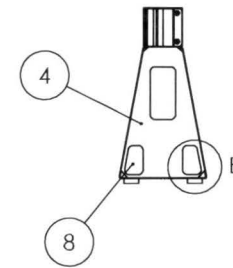
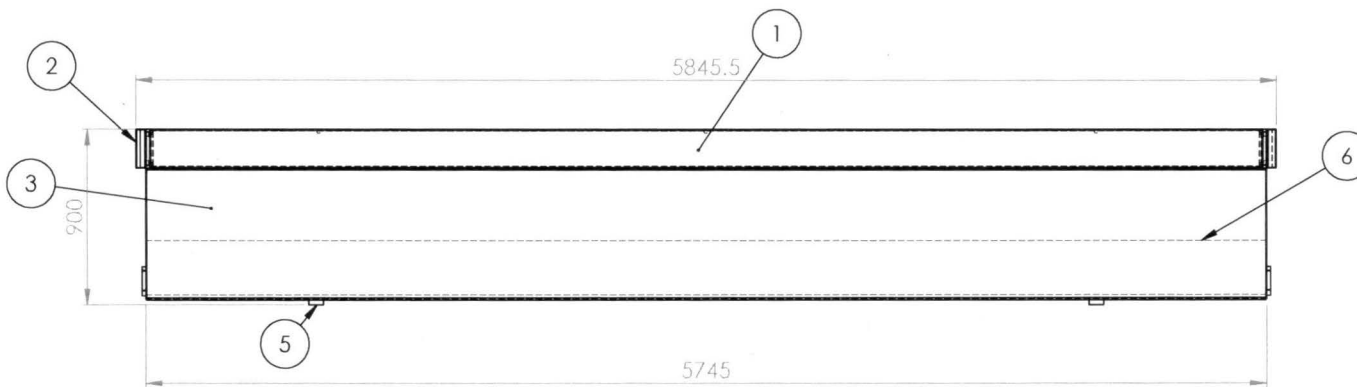
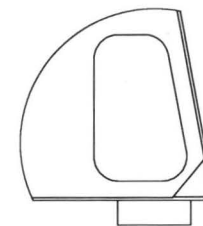
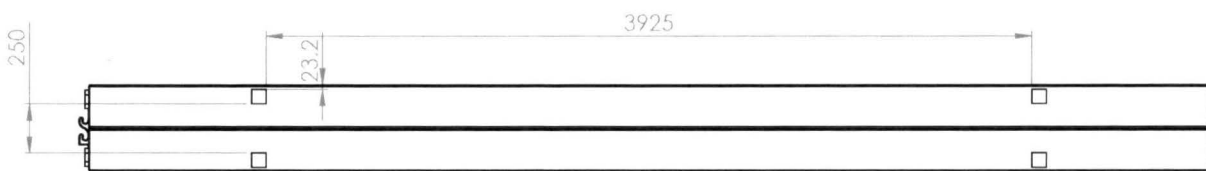


DETAIL A  
SCALE 2 : 25



DETAIL B  
SCALE 1 : 5



ITEM NO.	PART NUMBER	DESCRIPTION	QTY.
1	SRP000036	Square Top Rail	1
2	SRP000037	Connector	2
3	SRP000038	Skin	2
4	SRP000039	End	2
5	SRP000040	Feet	4
6	SRP000041	Concrete Ballast	1
7	SRP000043	Lifting Bar	3
8	SRP0000408	Spacer	4

© THIS DESIGN IS THE PROPERTY OF SAFEROADS. IT MUST NOT BE COPIED OR REPRODUCED WITHOUT THE SPECIFIC WRITTEN PERMISSION OF SAFEROADS PTY. LTD. UNLESS OTHERWISE SPECIFIED. ALL DIMENSIONS ARE IN mm. DO NOT SCALE DRAWING. DRAFTING STANDARD IS TO AS 1100. REFER TO SRP000001 FOR TOLERANCES AND SPECIFICATIONS.

OSTENDO Code

Drawn	Tom Holchkin	20/02/17	Material
App'd	Casey McMaster	14/06/17	Finish
			Weight

THIRD ANGLE PROJECTION



A3

SCALE: 1:25

SHEET 1 of 1

Title

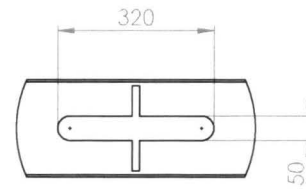
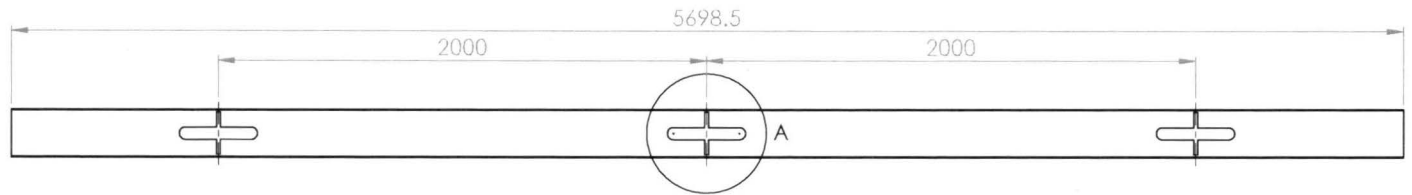
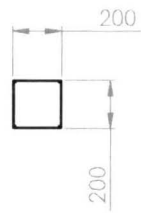
HV2 Barrier

Drawing Number

SRA000015

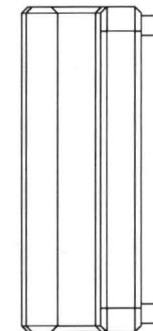
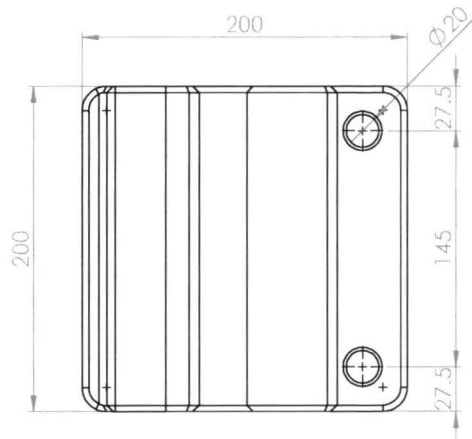
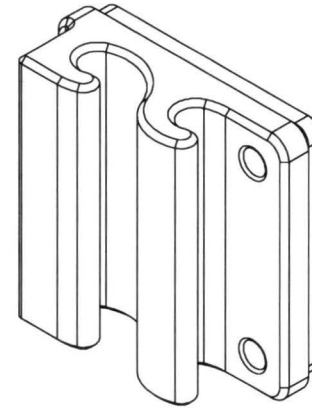
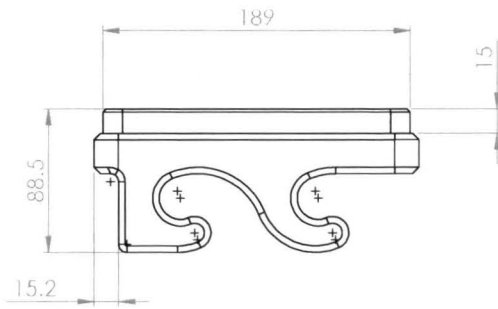
Revision

C



DETAIL A  
SCALE 1 : 10

<small>© THIS DESIGN IS THE PROPERTY OF SAFEROADS. IT MUST NOT BE COPIED OR REPRODUCED WITHOUT THE SPECIFIC WRITTEN PERMISSION OF SAFEROADS PTY. LTD. UNLESS OTHERWISE SPECIFIED. ALL DIMENSIONS ARE IN mm. DO NOT SCALE DRAWING. DRAFTING STANDARD IS TO AS 1100. REFER TO SRP000001 FOR TOLERANCES AND SPECIFICATIONS.</small>			THIRD ANGLE PROJECTION	A3	SCALE: 1:20	SHEET 1 of 1
OSTENDO Code				Title Square Top Rail		
Drawn	21/11/18	Material		Drawing Number SRP000036	Revision A	
App'd	21/02/17	Finish				
		Weight	kg			



© THE DESIGN IS THE PROPERTY OF SAFEROADS. IT MUST NOT BE COPIED OR REPRODUCED WITHOUT THE SPECIFIC WRITTEN PERMISSION OF SAFEROADS PTY. LTD. UNLESS OTHERWISE SPECIFIED. ALL DIMENSIONS ARE IN mm. DO NOT SCALE DRAWING. DRAFTING STANDARD IS TO AS 1100. REFER TO SRP000001 FOR TOLERANCES AND SPECIFICATIONS.

THIRD ANGLE PROJECTION



A3

SCALE: 1:3

SHEET 1 of 1

OSTENDO Code

Drawn Tom Hetchkin 21/11/16

Material

App'd Casey McMaster 14/02/17

Finish

Weight

kg



Title

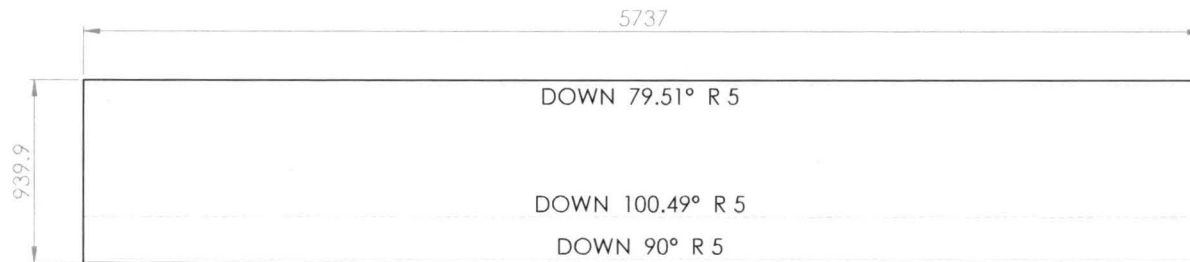
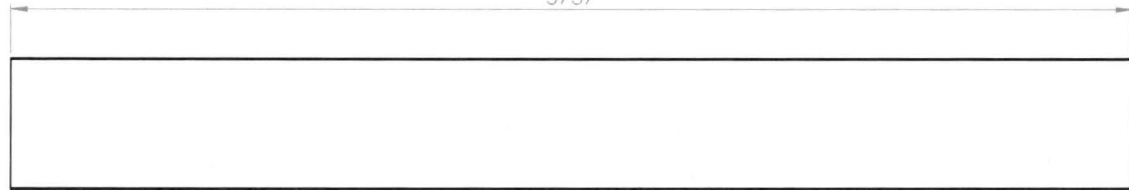
Connector

Drawing Number

SRP000037

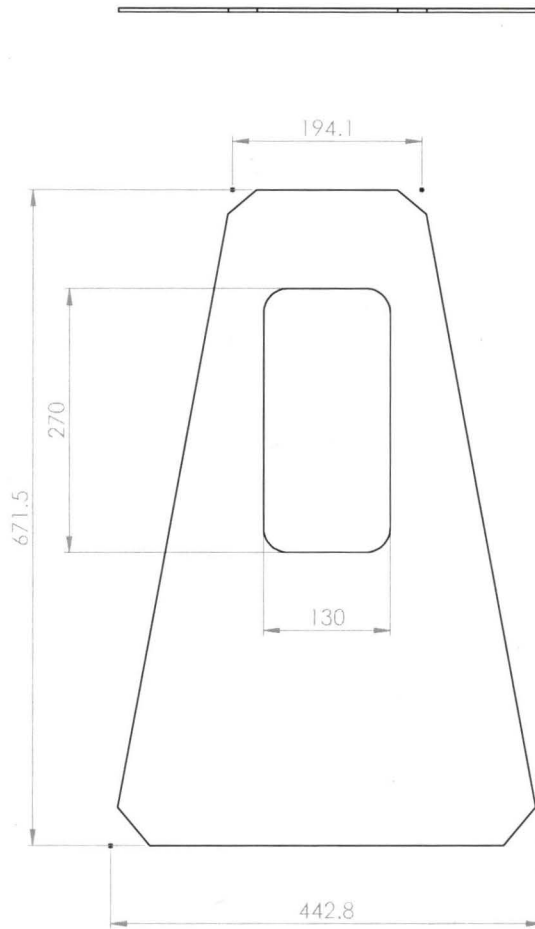
Revision

A



Flat Layout

<small>© THIS DESIGN IS THE PROPERTY OF SAFEROADS. IT MUST NOT BE COPIED OR REPRODUCED WITHOUT THE SPECIFIC WRITTEN PERMISSION OF SAFEROADS PTY. LTD. UNLESS OTHERWISE SPECIFIED. ALL DIMENSIONS ARE IN mm. DO NOT SCALE DRAWING. DRAFTING STANDARD IS TO AS 1100. REFER TO SRP000001 FOR TOLERANCES AND SPECIFICATIONS.</small>			THIRD ANGLE PROJECTION		A3	SCALE: 1:25	SHEET 1 of 1		
OSTENDO Code							Title Skin		
Drawn Tom Holchkin	20/02/17	Material					Drawing Number SRP000038		Revision B
App'd Casey McMaster	14/06/17	Weight kg							



© THIS DESIGN IS THE PROPERTY OF SAFEROADS. IT MUST NOT BE COPIED OR REPRODUCED WITHOUT THE SPECIFIC WRITTEN PERMISSION OF SAFEROADS PTY. LTD. UNLESS OTHERWISE SPECIFIED. ALL DIMENSIONS ARE IN mm. DO NOT SCALE DRAWING. DRAFTING STANDARD IS TO AS 1100. REFER TO SRP000001 FOR TOLERANCES AND SPECIFICATIONS.

THIRD ANGLE PROJECTION



A3

SCALE: 1:5

SHEET 1 of 1

OSTENDO Code

Title

End

Drawn	Tom Hetchkin	21/11/18	Material
App'd	Casey McMaster	14/06/17	Finish
			Weight



Drawing Number	SRP000039	Revision	B
----------------	-----------	----------	---

kg

