

8

7

6

5

4

3

2

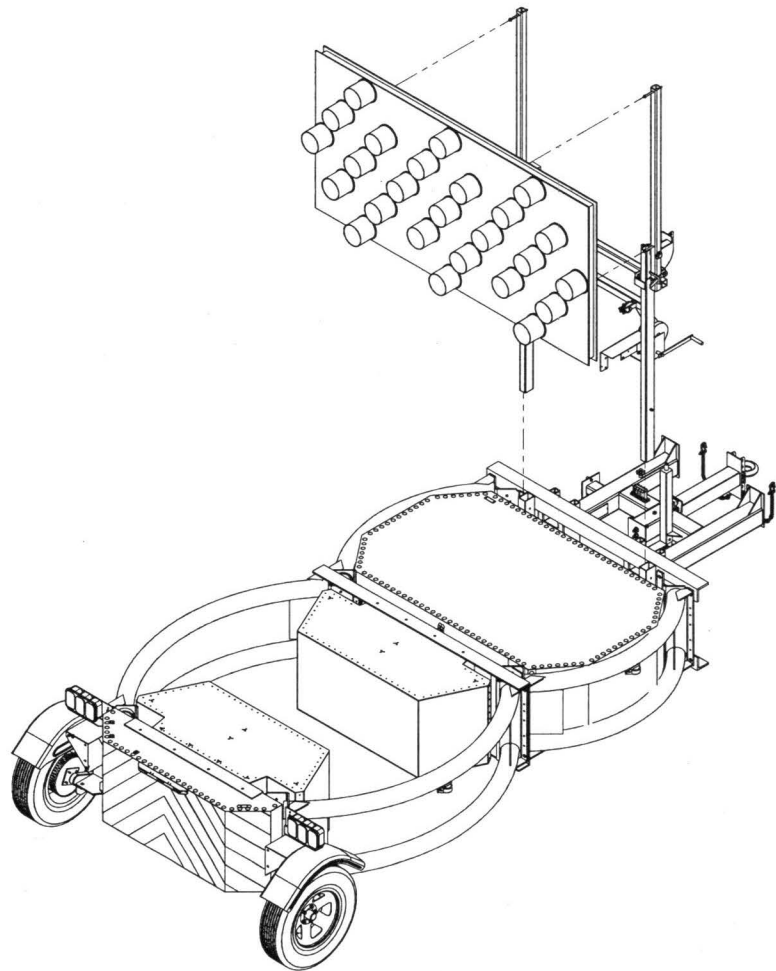
1

D

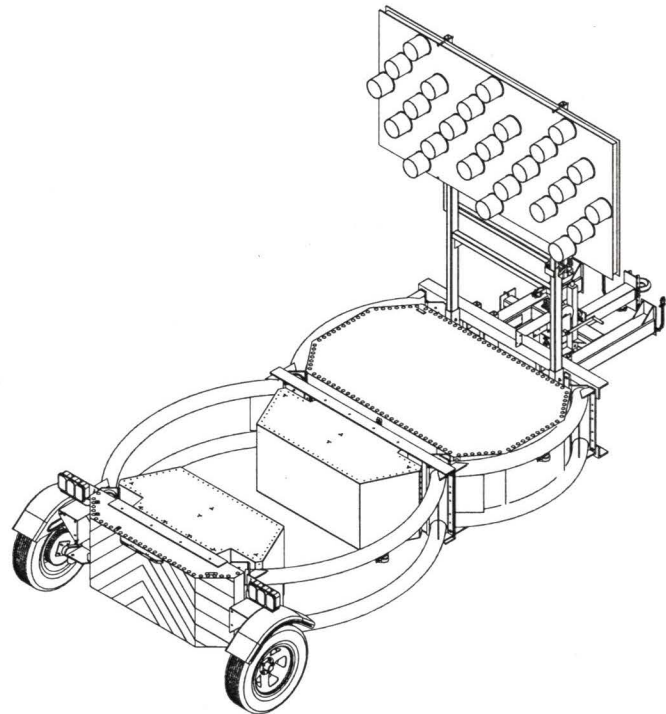
C

B

A



Exploded View of Arrowboard Lift Install  
to Scorpion II TA



Assembled View of Arrowboard Lift Install  
to Scorpion II TA

D

C

B

A

UNLESS OTHERWISE SPECIFIED:  
ALL DIMENSIONS ARE IN FEET [m].  
TOLERANCES:  
DECIMAL: X.X ± .0425"  
X.XX ± .032"  
X.XXX ± .015"  
DEGREES: ± 0.5°



160 Avenida La Pata  
San Clemente, CA 92673  
(949) 361-5663  
FAX (949) 361-9205  
www.traffixdevices.com

TITLE:

**TL-3 Scorpion II TA  
w/Arrowboard Lift**

DRAWN BY: Christopher Jaime	DATE: 8/31/17
CHECKED BY: FA	DATE: 8/31/17
APPROVED BY: FA	DATE: 8/31/17

SIZE  
**B**

DWG. NO.  
**900-194**

REV  
**A**

SHEET 2 OF 2

NOTES: UNLESS OTHERWISE SPECIFIED

8

7

6

5

4

3

2

1