

1. Units Inch [mm]  
**NOTES: Unless Otherwise Specified**

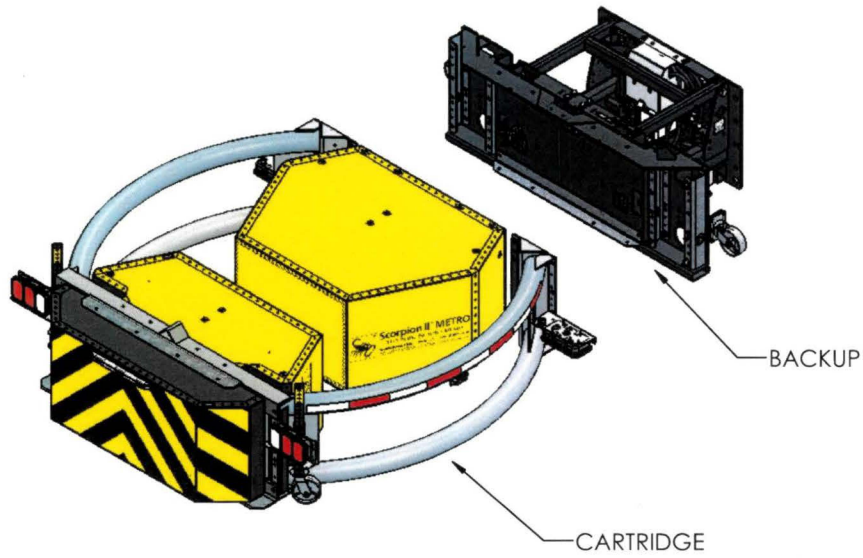
UNLESS OTHERWISE SPECIFIED,  
 ALL DIMENSIONS ARE IN INCHES [mm].  
 TOLERANCES:  
 FRACTIONAL: XX ± 1/16" [1.6mm]  
 DECIMAL: XX ± .0625  
 XXX ± .032  
 XXXX ± .015"  
 DEGREES: ± 0.5°



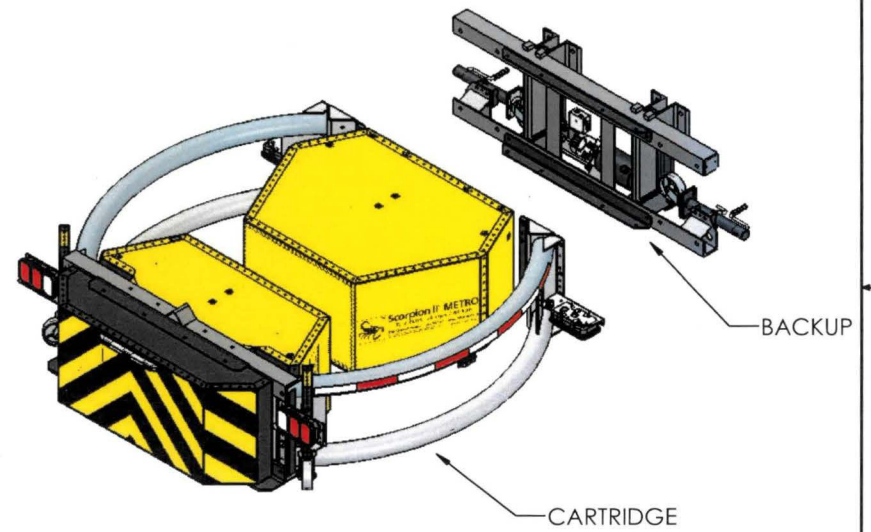
160 Avenida La Plata  
 San Clemente, CA 92673  
 (949) 361-5663  
 FAX (949) 361-9205  
 www.traffixdevices.com

TITLE: <b>SCORPION II METRO</b>		
DRAWN BY: Robby Ramirez	DATE: 09/12/15	SIZE <b>B</b>
CHECKED BY: GM	DATE: 09/12/15	DRAWING NO. 1000-217
APPROVED BY: GM	DATE: 09/12/15	REV <b>A</b>
		SHEET 1 OF 2

LOW PIVOT BACKUP



HIGH PIVOT BACKUP



UNLESS OTHERWISE SPECIFIED:  
 ALL DIMENSIONS ARE IN INCHES (mm).  
 TOLERANCES:  
 FRACTIONAL: XX ± 1/16" (1.6mm)  
 DECIMAL: XX ± .0425  
 XXX ± .032"  
 XXXX ± .015"  
 DEGREES: ± 0.5°



160 Avenida La Pata  
 San Clemente, CA 92673  
 (949) 361-5663  
 FAX (949) 361-9205  
 www.traffixdevices.com

TITLE:  
**SCORPION II METRO**

DRAWN BY:  
 Robby Ramirez  
 CHECKED BY:  
 GM  
 APPROVED BY:  
 GM

DATE:  
 09/12/19  
 DATE:  
 09/12/19  
 DATE:  
 09/12/19

SIZE  
**B**

DRAWING NO.  
 1000-217

REV  
**A**

SHEET 2 OF 2

1. Units Inch [mm]  
 NOTES: Unless Otherwise Specified