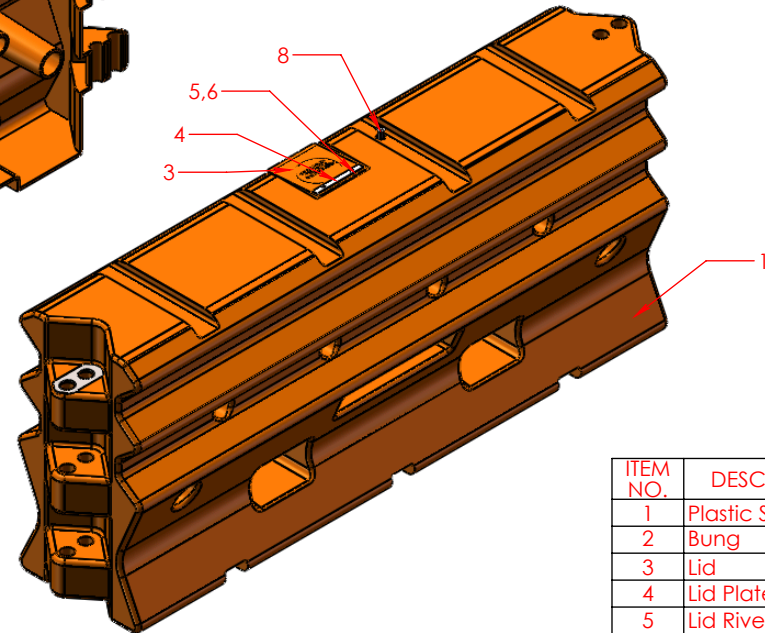
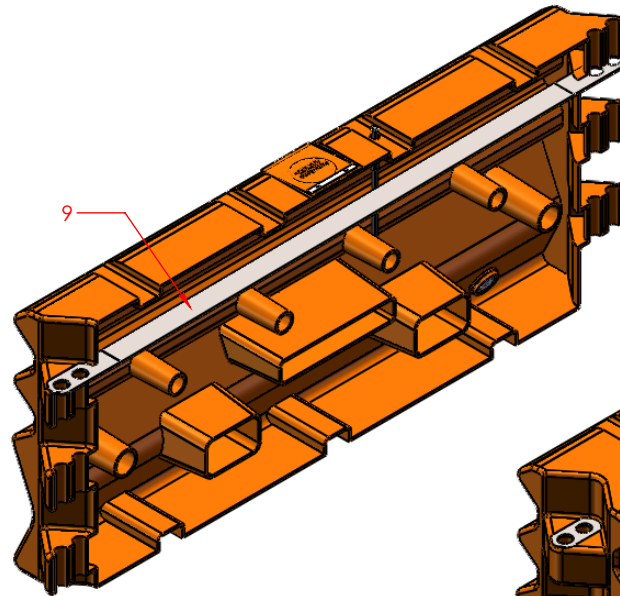
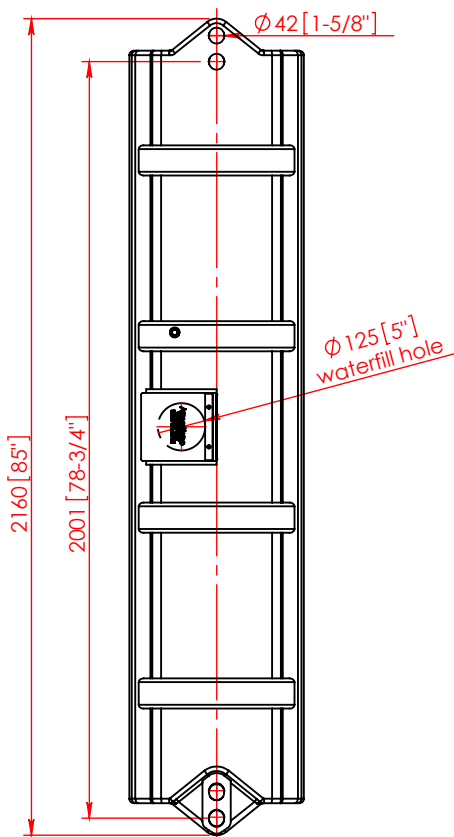
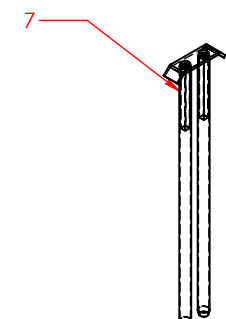


Note:  
Steel Connector installed  
Empty weight 56kg  
Water volume 440l  
Full weight 496kg



ITEM NO.	DESCRIPTION	QTY.
1	Plastic Shell	1
2	Bung	1
3	Lid	1
4	Lid Plate	1
5	Lid Rivet	2
6	Lid Washer	2
7	Reinforced Pin	1
8	Full Indicator	1
9	Steel Connector	1

The information heron is proprietary to Valmont Highway and shall not be disclosed, duplicated or used otherwise without the express written approval of Valmont Highway.

SCALE: 1:20

	DATE	INIT.
DRAWN BY	20/12/2010	AD
APPR'D BY	20/12/2010	DJ

Standard Tolerance

**valmont**  
HIGHWAY

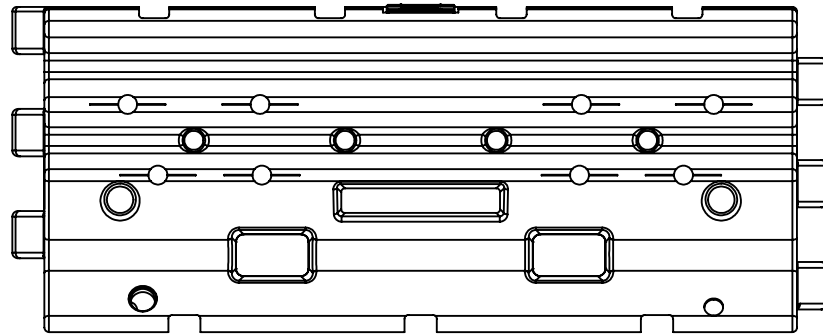
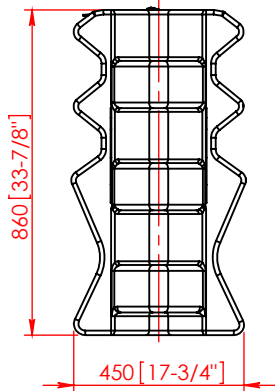
57-65 Airds Road,  
Minto, NSW, 2566,  
Australia  
tel. 61 2 9827 3333  
fax. 61 2 9827 3300  
www.ingalcivil.com.au

© 2010 Valmont Highway

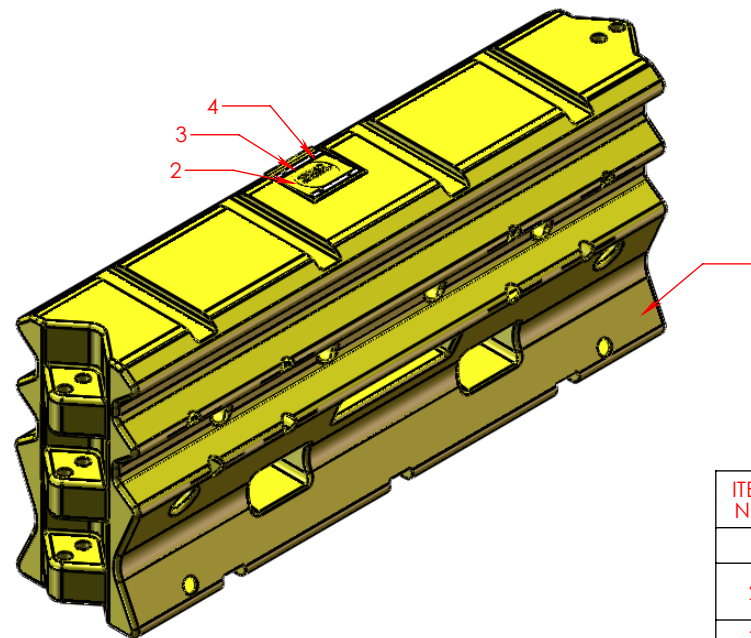
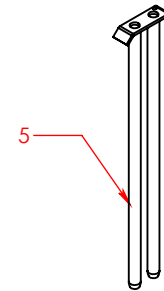
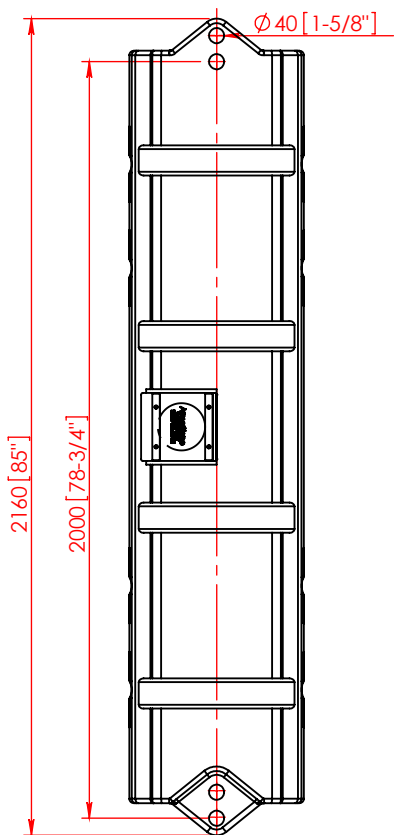
REV.	CHANGES	DATE

ArmorZone™ MASH TL-2

SHEET	DRAWING NUMBER	REV.
1 OF 1	P-AZ-A1S	



Note:  
No Steel Connector inside  
Weight 50kg



ITEM NO.	DESCRIPTION	QTY.
1	Plastic Shell	1
2	Lid	1
3	Lid Plate	2
4	Lid Screw	4
5	Standard Pin	1

The information heron is proprietary to Valmont and shall not be disclosed, duplicated or used otherwise without the express written approval of Valmont.

SCALE: 1:20

Standard Tolerance

	DATE	INIT.
DRAWN BY	11/11/2010	LW
APPR'D BY	11/11/2010	BM



57-65 Airs Road,  
Minto, NSW, 2566,  
Australia  
tel. 61 2 9827 3333  
fax. 61 2 9827 3300  
www.ingalcivil.com.au

REV.	CHANGES	DATE
A	INITIAL ISSUE	11/11/2010

ArmorZone™ End Treatment

SHEET	DRAWING NUMBER	REV.
1 OF 1	AI0274	A