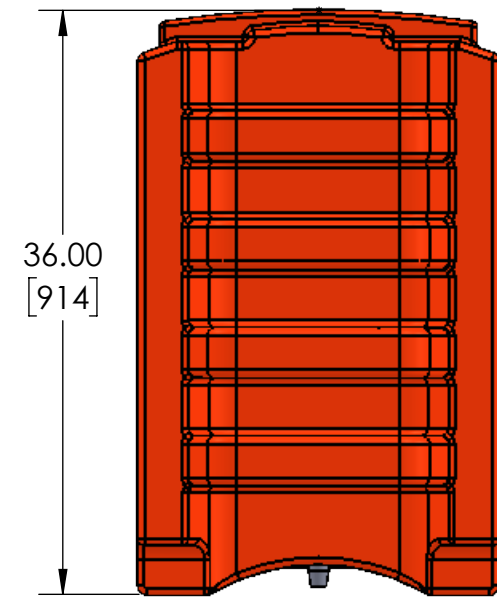
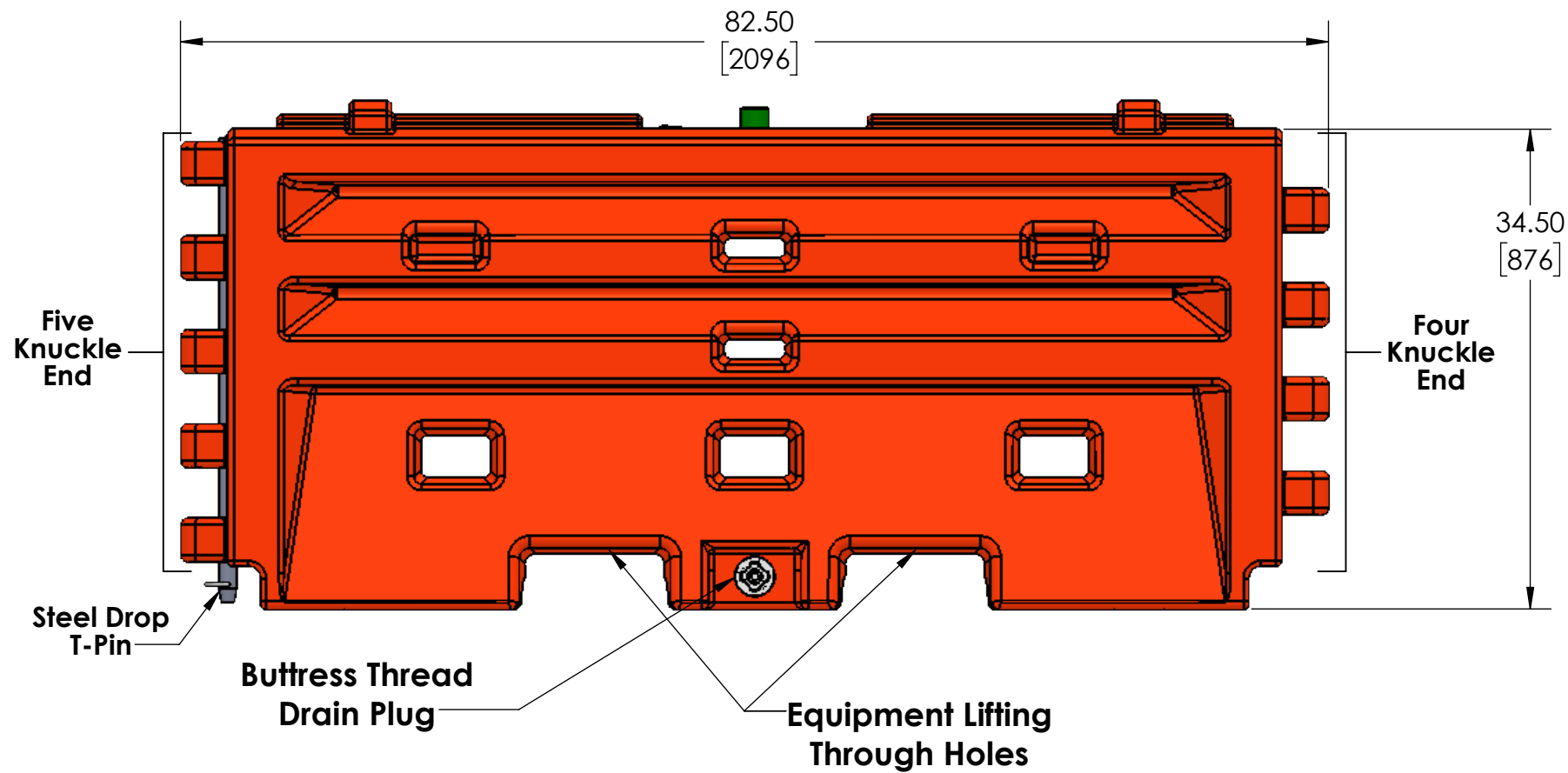
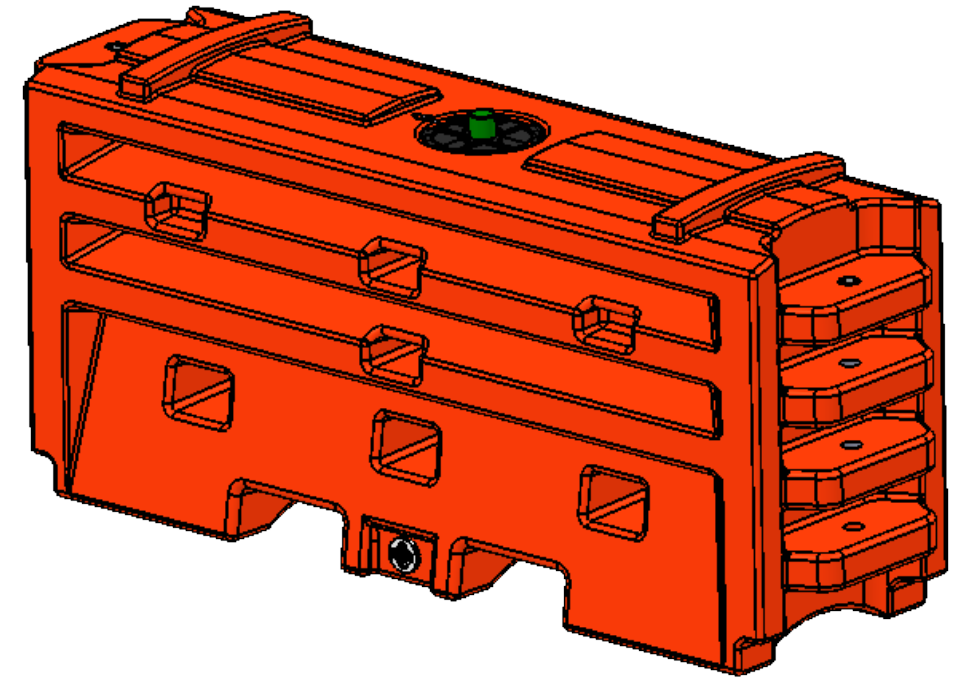
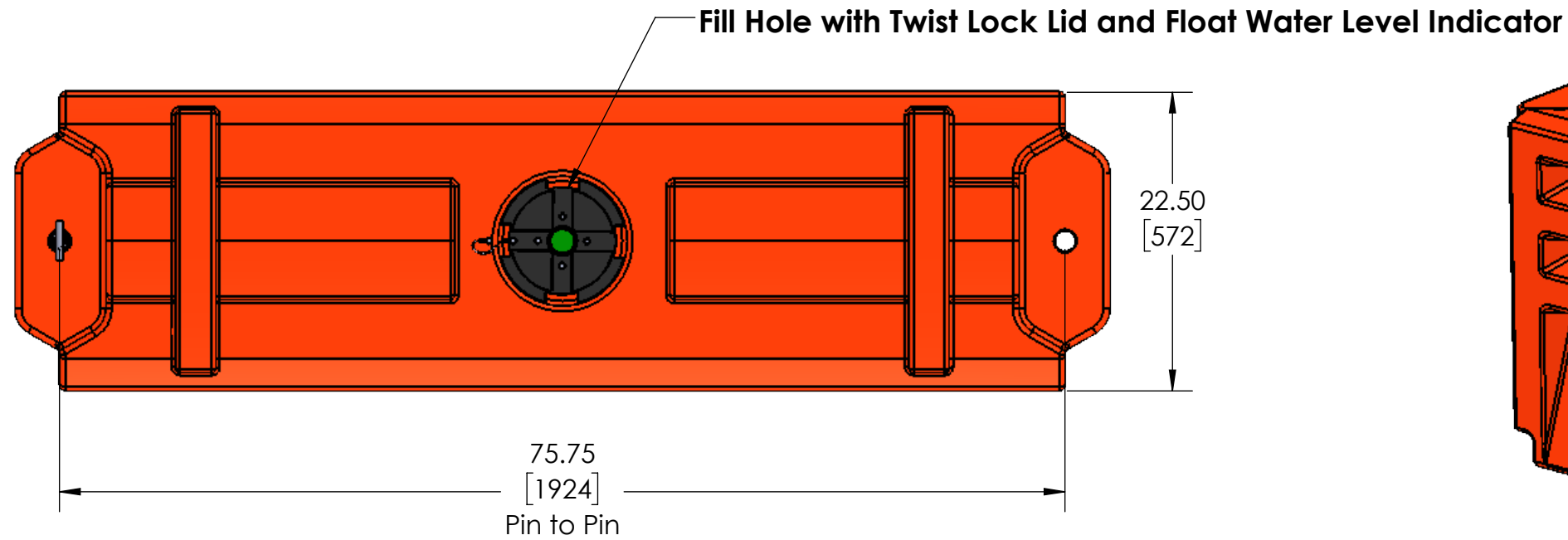


8 7 6 5 4 3 2 1



Low Rotation (LR) Water Cable Barrier  
 5. Color: Orange and White  
 4. Empty Weight: 159 lbs. [72.2 kg]  
 3. Filled Weight: Approx. 1 633 lbs. [740.8 kg]  
 2. Material: Plastic Polyethylene  
 1. Units: Inches [mm]

**NOTES: UNLESS OTHERWISE SPECIFIED**

UNLESS OTHERWISE SPECIFIED:  
 ALL DIMENSIONS ARE IN mm.

**Traffix Devices Inc.**  
 160 Avenida La Pata  
 San Clemente, CA 92673  
 (949) 361-5663  
 FAX (949) 361-9205  
 www.traffixdevices.com

TITLE:  
**Low Rotation (LR)  
 Water Cable Barrier Module**

DRAWN BY:  
 Christopher Jaime  
 CHECKED BY:  
 FA  
 APPROVED BY:  
 FA

DATE:  
 11/9/17  
 DATE:  
 11/9/17  
 DATE:  
 11/9/17

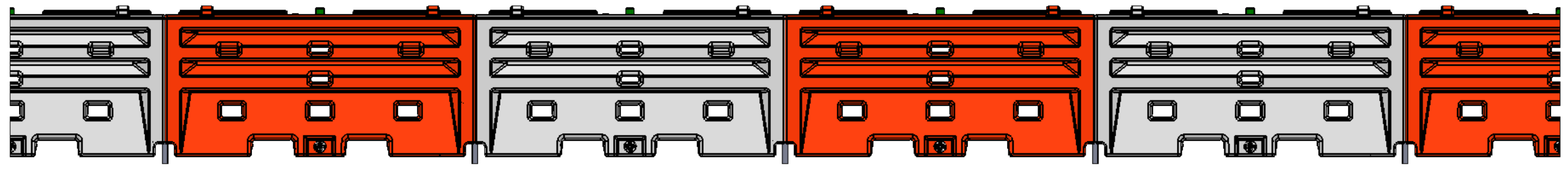
SIZE <b>B</b>	DWG. NO. 300-280	REV <b>B</b>
------------------	---------------------	-----------------

SHEET 1 OF 1

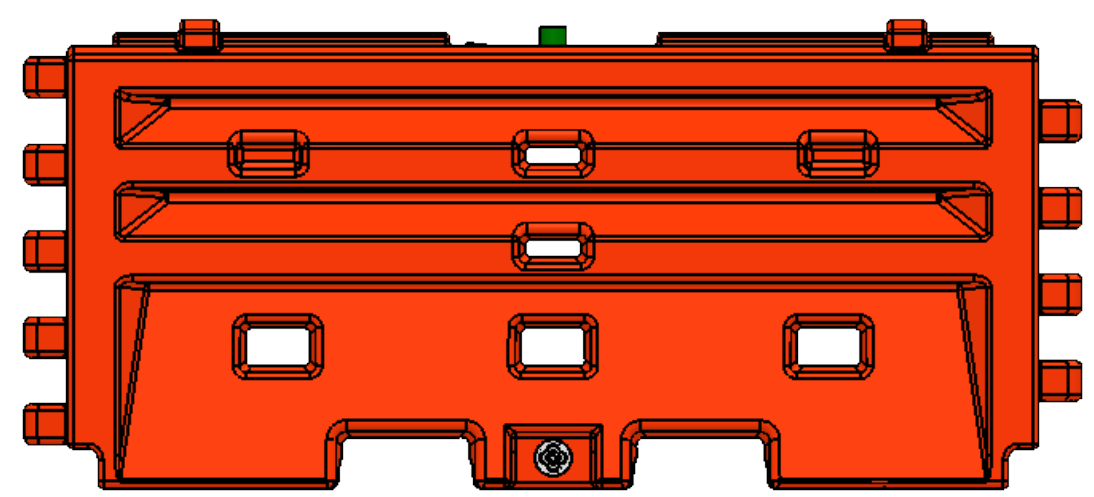
8 7 6 5 4 3 2 1

8 7 6 5 4 3 2 1

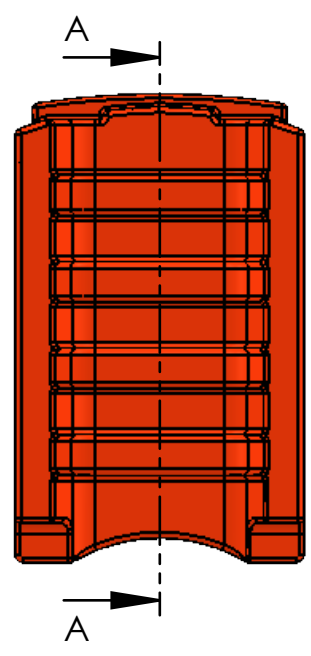
D



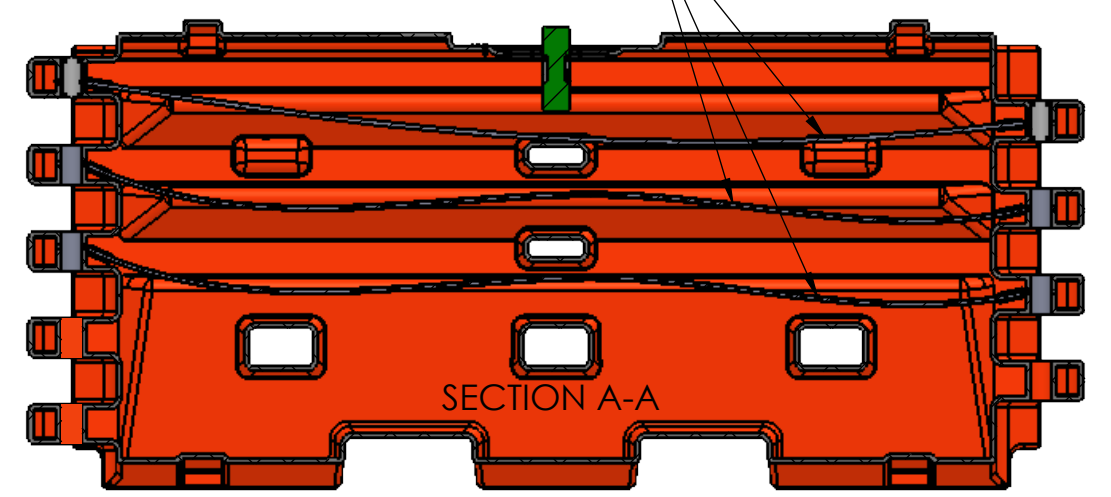
C



Sentry LR Water Cable Barrier with Molded Internal Cables



Three Internal Molded In Cables Per Water Filled Barrier Module



Module Section View Displaying Internal Molded In Cables

B

A

NOTES: UNLESS OTHERWISE SPECIFIED

UNLESS OTHERWISE SPECIFIED:  
ALL DIMENSIONS ARE IN mm.

**Traffix Devices Inc.**  160 Avenida La Pata  
San Clemente, CA 92673  
(949) 361-5663  
FAX (949) 361-9205  
www.traffixdevices.com

TITLE:  
Low Rotation (LR)  
Water Cable Barrier Array with  
Internal Molded In Cables

DRAWN BY:  
Christopher Jaime  
CHECKED BY:  
FA  
APPROVED BY:  
FA

DATE:  
6/8/17  
DATE:  
6/8/17  
DATE:  
6/8/17

SIZE  
**B**

DWG. NO.  
300-268

REV  
**B**

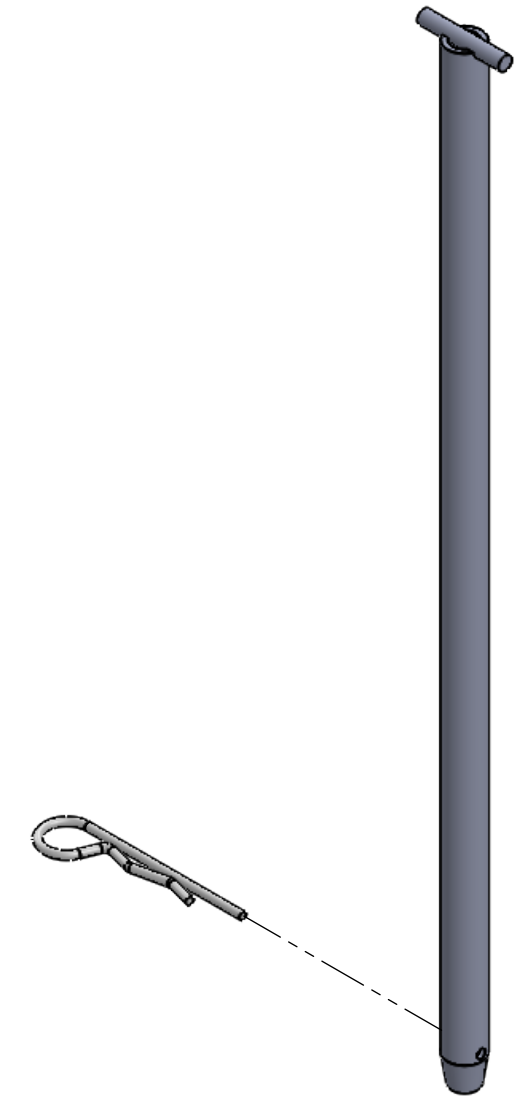
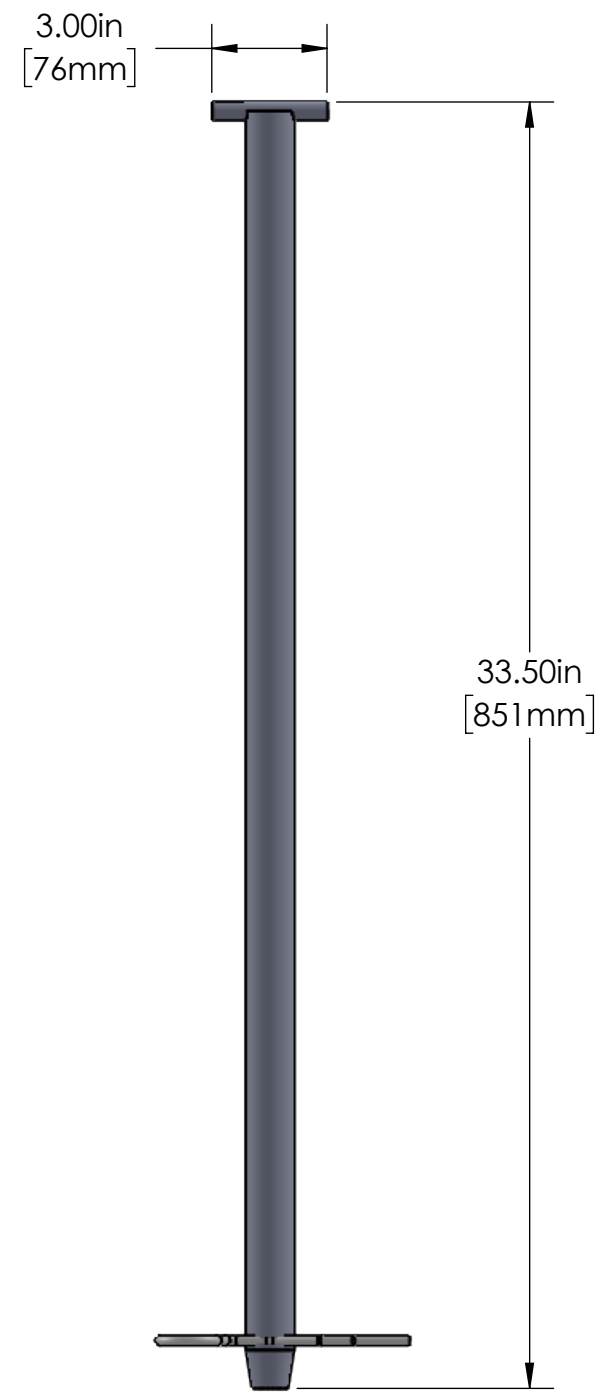
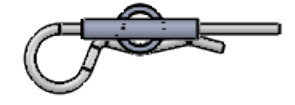
SHEET 1 OF 1

8 7 6 5 4 3 2 1

8 7 6 5 4 3 2 1

D  
C  
B  
A

D  
C  
B  
A



**T-PIN w/ KEEPER PIN**

1. Units: Inches [mm]  
**NOTES: UNLESS OTHERWISE SPECIFIED**

UNLESS OTHERWISE SPECIFIED:  
ALL DIMENSIONS ARE IN INCHES[mm].  
TOLERANCES:  
FRACTIONAL: X/X ± 1/16" [1.6mm]  
DECIMAL: X.X ± .0625"  
          X.XX ± .032"  
          X.XXX ± .015"  
DEGREES: ± 0.5°



160 Avenida La Pata  
San Clemente, CA 92673  
(949) 361-5663  
FAX (949) 361-9205  
www.traffixdevices.com

TITLE:  
**Low Rotation (LR)  
Barrier Hardware**

DRAWN BY:  
Christopher Jaime  
CHECKED BY:  
FA  
APPROVED BY:  
FA

DATE:  
2/23/18  
DATE:  
2/23/18  
DATE:  
2/23/18

SIZE  
**B**

DWG. NO.  
**300-298**

REV  
**A**

SHEET 1 OF 1

8 7 6 5 4 3 2 1