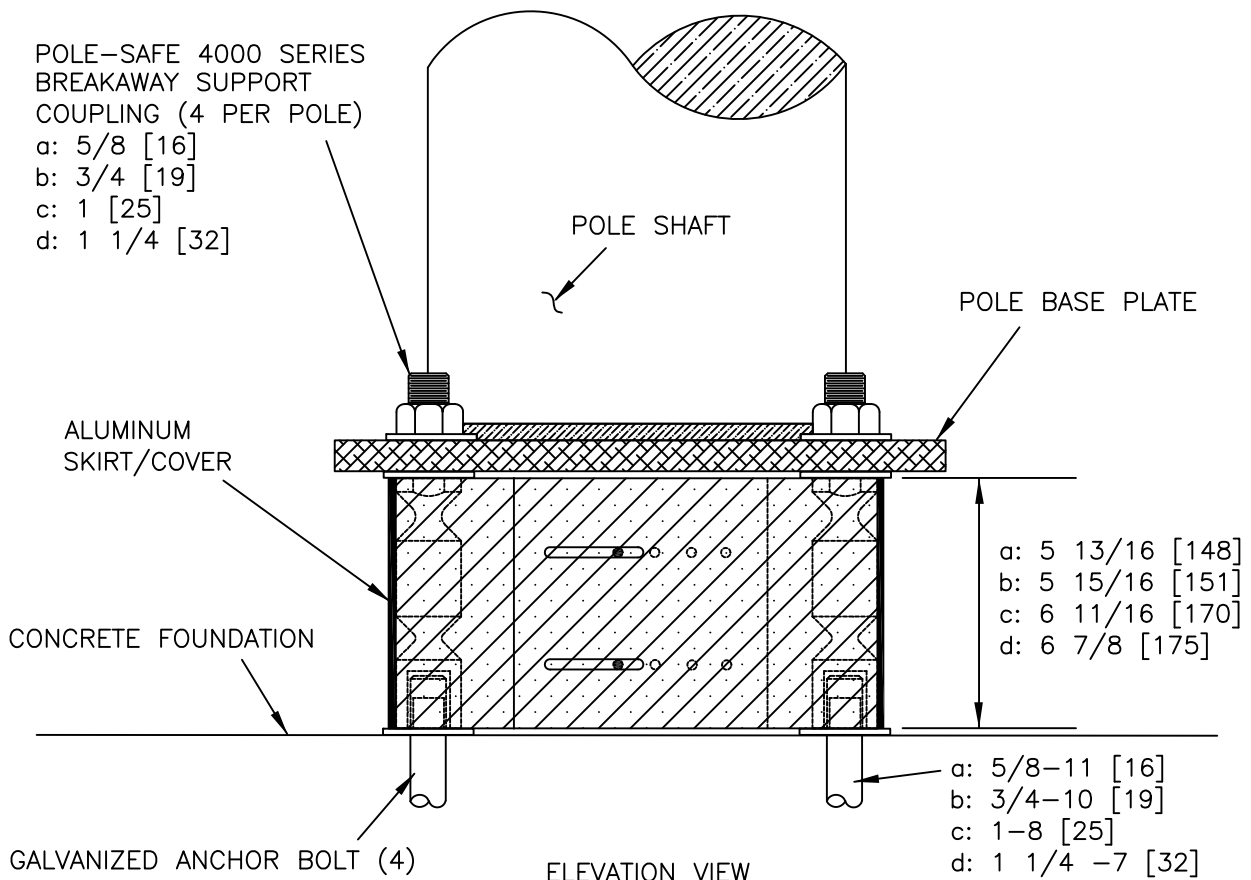


PLAN VIEW



ELEVATION VIEW

POLE-SAFE<sup>®</sup> 4000 SERIES COUPLING BASE



LBC02a-d

SHEET NO.

DATE:

1 of 4

12/01/10

## INTENDED USE

Transpo's Pole-Safe<sup>®</sup> 4000 Series coupling base is an omni-directional breakaway support system for a wide variety of light poles and other elements located within roadside clear zones or other locations vulnerable to vehicular impacts. The primary component of the system is a high-strength coupling, designed to break away quickly and cleanly upon impact, thus saving lives and reducing property damage costs. Pole-Safe<sup>®</sup> has been vehicle crash-tested in accordance with NCHRP Report 350 Test Level 3, and is approved for use on all FHWA-funded projects.

In addition to superior safety performance, Pole-Safe<sup>®</sup> provides high structural load-carrying capacity. Extensive finite-element analysis and simulated wind-load testing has been used to optimize the system for maximum loading conditions.

The Pole-Safe<sup>®</sup> 4000 Series consists of four (4) models of different coupling sizes to cover a wide range of pole sizes and configurations, up to and including the heaviest pole mass allowed (992 lbs [450 kg]) in the AASHTO Standard Specifications for Structural Supports for Highway Signs, Luminaires and Traffic Signals.

Below are the Pole-Safe<sup>®</sup> 4000 Series Models with corresponding standard anchor bolt size:

Pole-Safe<sup>®</sup> Model 4062 for use with 5/8" [16] Anchor Bolts.

Pole-Safe<sup>®</sup> Model 4075 for use with 3/4" [19] Anchor Bolts.

Pole-Safe<sup>®</sup> Model 4100 for use with 1" [25] Anchor Bolts.

Pole-Safe<sup>®</sup> Model 4125 for use with 1 1/4" [32] Anchor Bolts.

Each model is a complete base system that contains four (4) Pole-Safe<sup>®</sup> breakaway couplings, and all related hardware shown. The reinforced concrete foundation, pole, and base plate are not included.

## REFERENCES

Dwight A. Horne, "Breakaway Luminaire Supports, Geometric and Roadside Design Acceptance Letter Number LS-45B, Federal Highway Administration, January 16, 1997.

## CONTACT INFORMATION

Transpo Industries, Inc.  
20 Jones Street, New Rochelle, NY 10801  
Phone: (914) 636-1000  
Fax: (914) 636-1282  
Email: info@transpo.com  
Web: www.transpo.com

## POLE-SAFE<sup>®</sup> 4000 SERIES COUPLING BASE

**LBC02a-d**

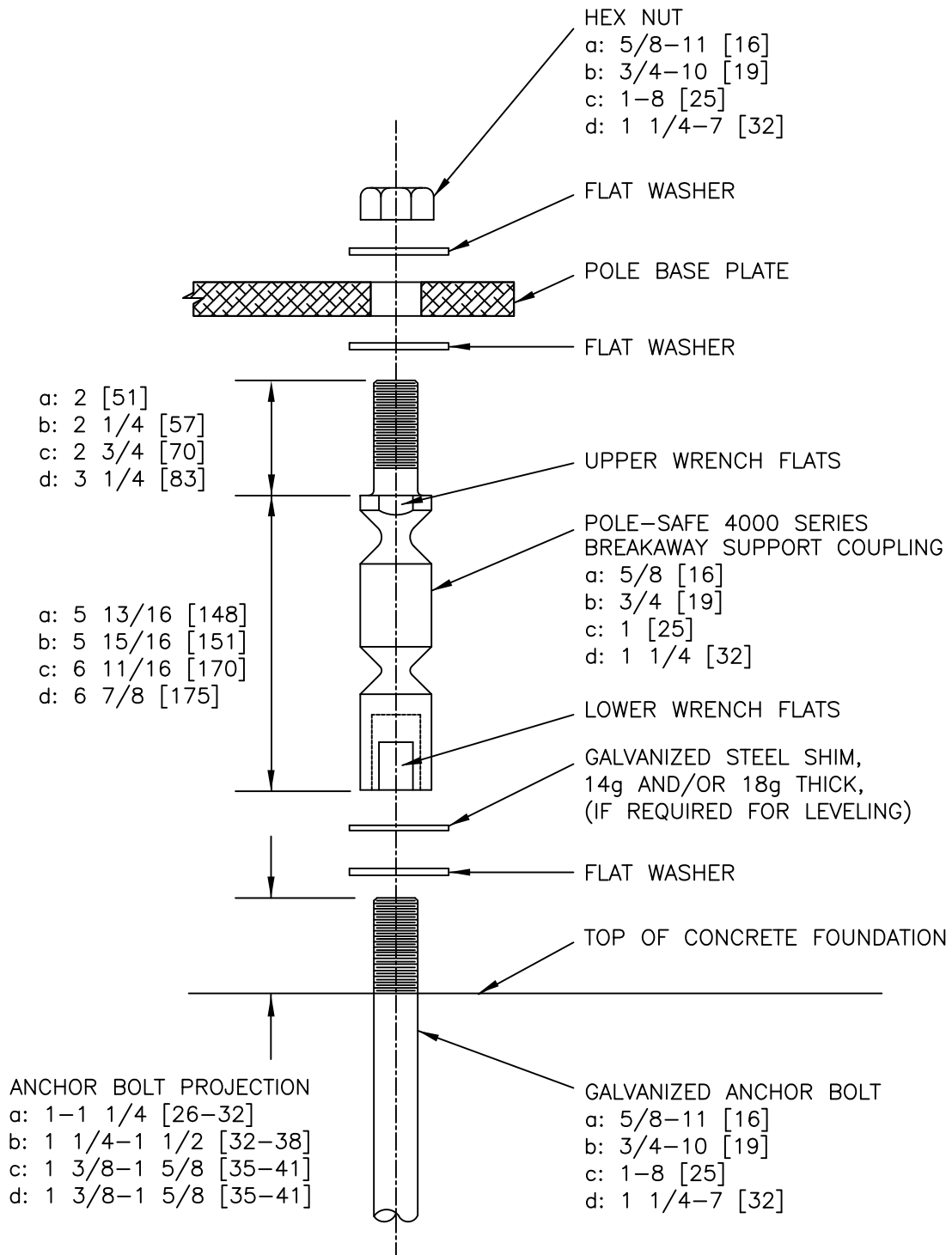
SHEET NO.

DATE

2 of 4

12/01/10





COUPLING ASSEMBLY DETAILS  
(4 PER POLE)

POLE-SAFE<sup>®</sup> 4000 SERIES COUPLING BASE



LBC02a-d

SHEET NO.

DATE:

3 of 4

12/01/10

## INTENDED USE

Transpo's Pole-Safe<sup>®</sup> 4000 Series coupling base is an omni-directional breakaway support system for a wide variety of light poles and other elements located within roadside clear zones or other locations vulnerable to vehicular impacts. The primary component of the system is a high-strength coupling, designed to break away quickly and cleanly upon impact, thus saving lives and reducing property damage costs. Pole-Safe<sup>®</sup> has been vehicle crash-tested in accordance with NCHRP Report 350 Test Level 3, and is approved for use on all FHWA-funded projects.

In addition to superior safety performance, Pole-Safe<sup>®</sup> provides high structural load-carrying capacity. Extensive finite-element analysis and simulated wind-load testing has been used to optimize the system for maximum loading conditions.

The Pole-Safe<sup>®</sup> 4000 Series consists of four (4) models of different coupling sizes to cover a wide range of pole sizes and configurations, up to and including the heaviest pole mass allowed (992 lbs [450 kg]) in the AASHTO Standard Specifications for Structural Supports for Highway Signs, Luminaires and Traffic Signals.

Below are the Pole-Safe<sup>®</sup> 4000 Series Models with corresponding standard anchor bolt size:

Pole-Safe<sup>®</sup> Model 4062 for use with 5/8" [16] Anchor Bolts.

Pole-Safe<sup>®</sup> Model 4075 for use with 3/4" [19] Anchor Bolts.

Pole-Safe<sup>®</sup> Model 4100 for use with 1" [25] Anchor Bolts.

Pole-Safe<sup>®</sup> Model 4125 for use with 1 1/4" [32] Anchor Bolts.

Each model is a complete base system that contains four (4) Pole-Safe<sup>®</sup> breakaway couplings, and all related hardware shown. The reinforced concrete foundation, pole, and base plate are not included.

## REFERENCES

Dwight A. Horne, "Breakaway Luminaire Supports, Geometric and Roadside Design Acceptance Letter Number LS-45B, Federal Highway Administration, January 16, 1997.

## CONTACT INFORMATION

Transpo Industries, Inc.  
20 Jones Street, New Rochelle, NY 10801  
Phone: (914) 636-1000  
Fax: (914) 636-1282  
Email: info@transpo.com  
Web: www.transpo.com

## POLE-SAFE<sup>®</sup> 4000 SERIES COUPLING BASE

**LBC02a-d**

SHEET NO.

DATE

4 of 4

12/01/10

