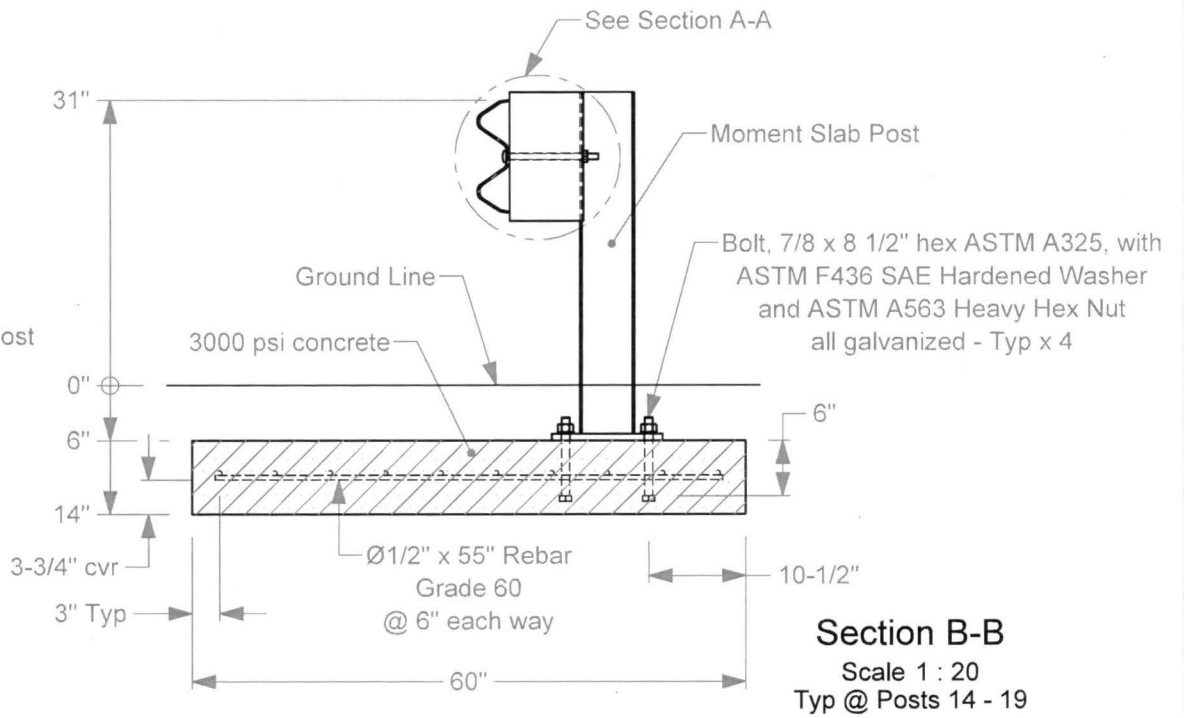
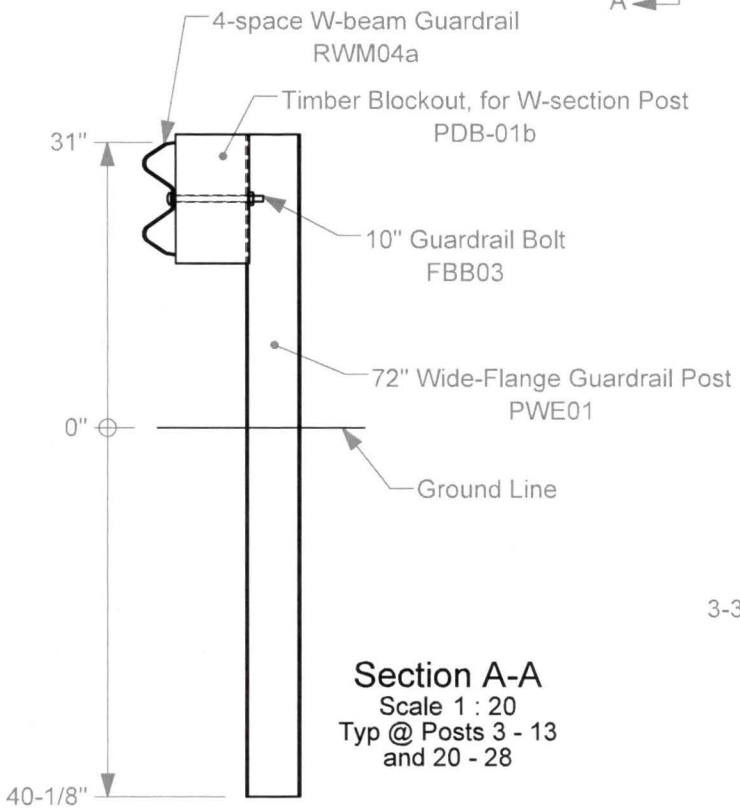
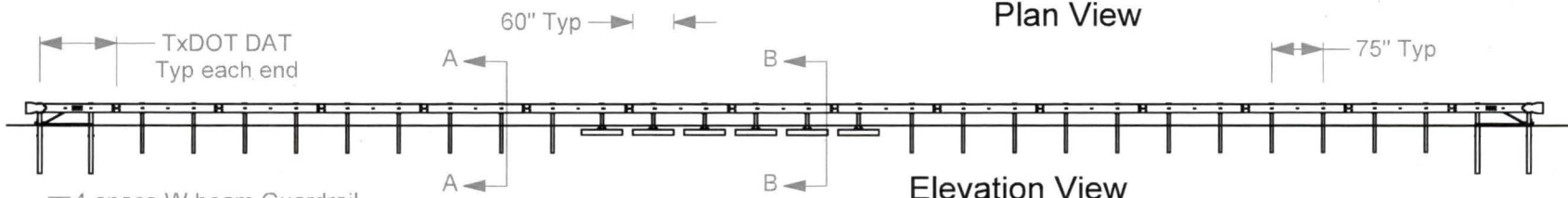
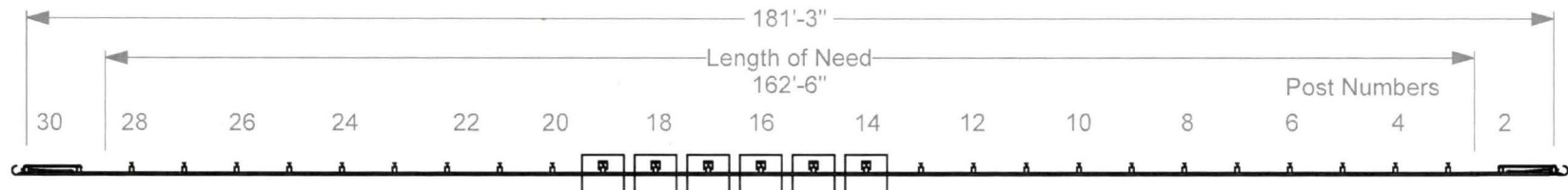


# Test Installation



1a. Backfill Post holes, and around and above Moment Slabs, with AASHTO M147-65(2004), grade B crushed limestone road base, compacted to MASH standard.

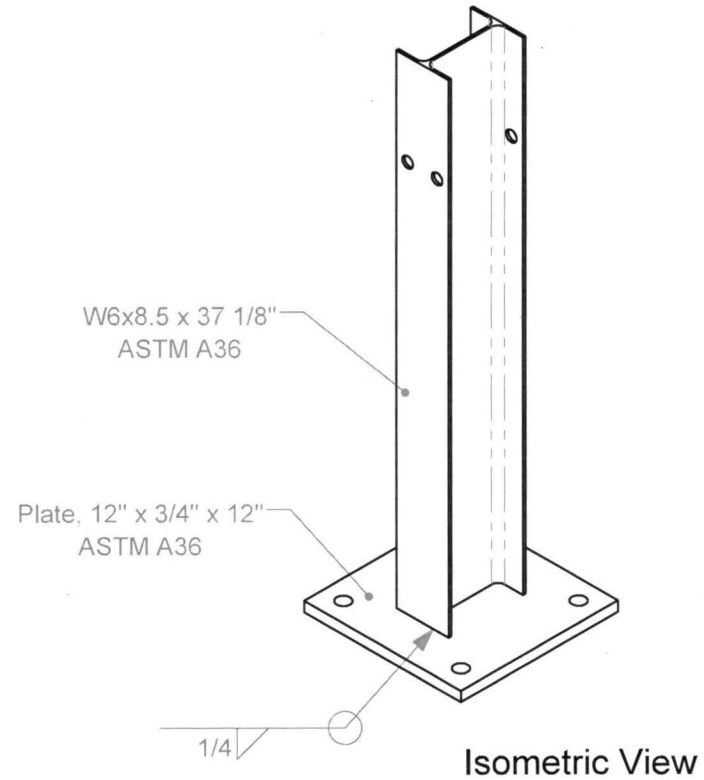
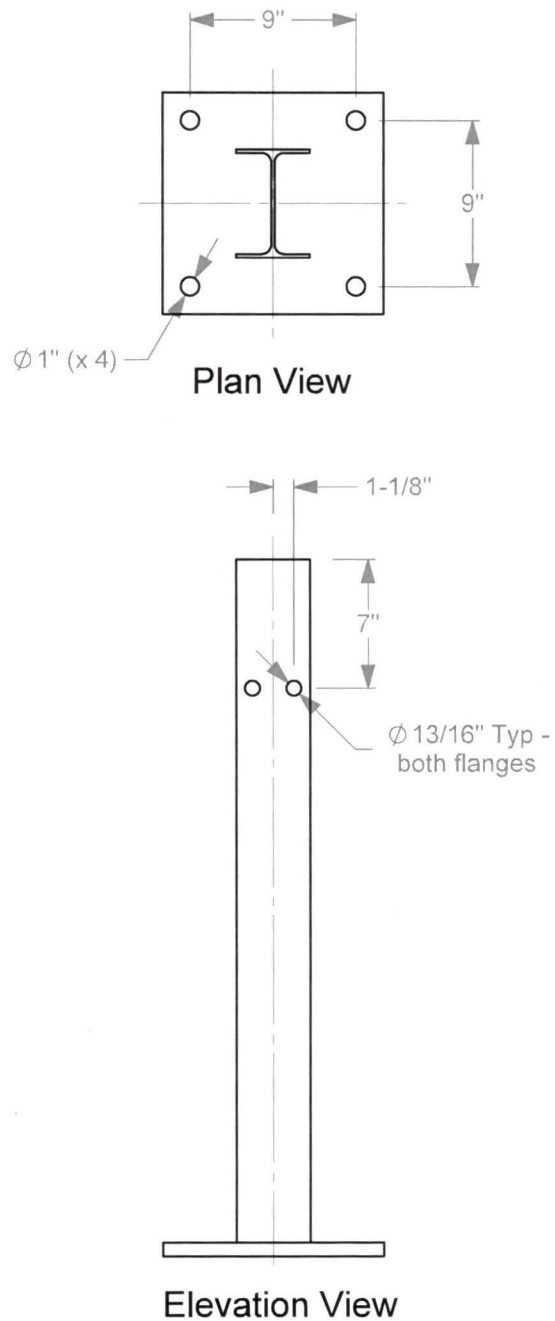


Roadside Safety and Physical Security Division - Proving Ground

Project #612281 Moment Slab 2019-04-18  
 Drawn by GES Scale 1:250 Sheet 1 of 2 Test Installation

T:\1-ProjectFiles\612281 - Bullard\02 W-Beam Guide rail post over underground structure\Drafting, 612281\612281 Drawing

## Post Details



- 2a.** All welding must be performed by certified welders using industry standard practices.
- 2b.** Galvanize all components after fabrication is complete.



Roadside Safety and  
Physical Security Division -  
Proving Ground

Project #612281 Moment Slab

2019-04-18

Drawn by GES Scale 1:10

Sheet 2 of 2 Post Details