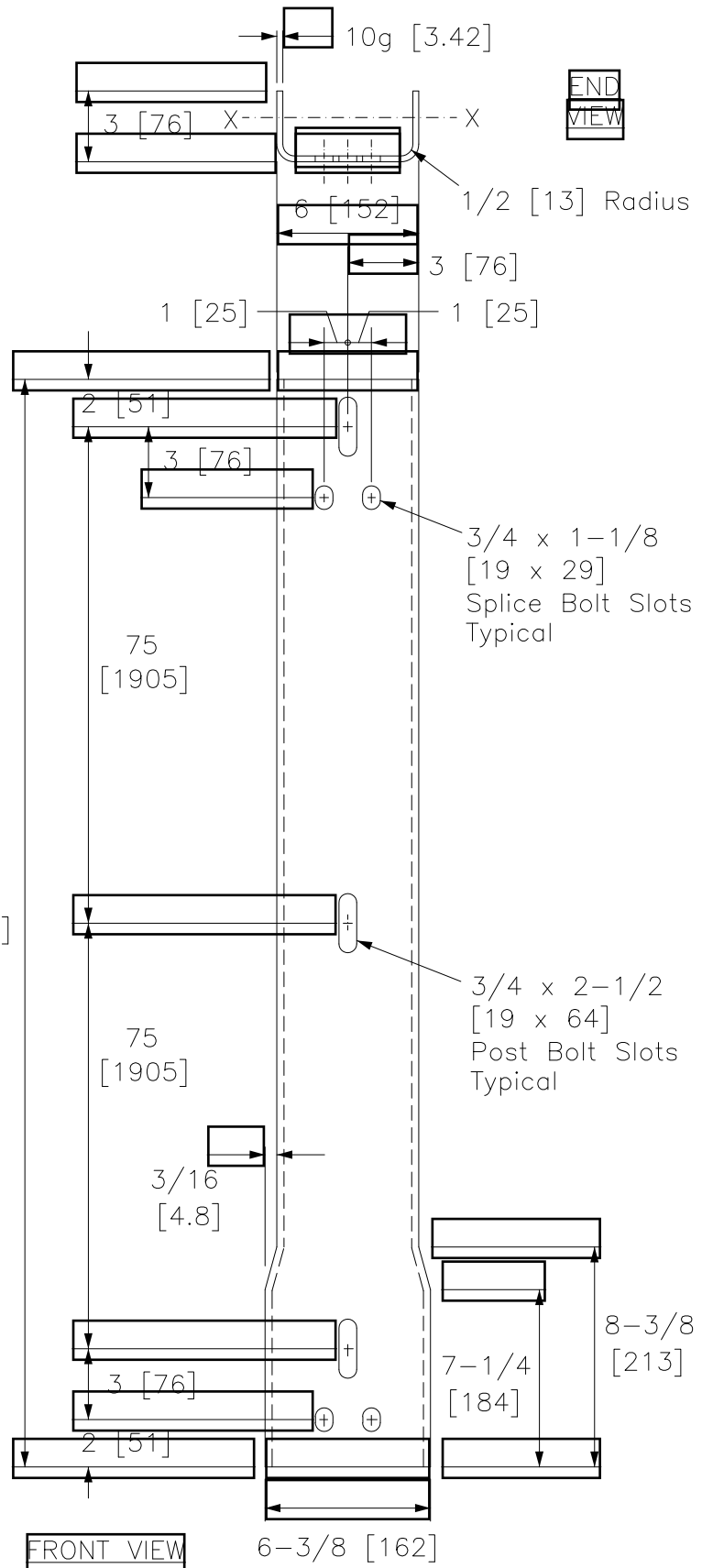
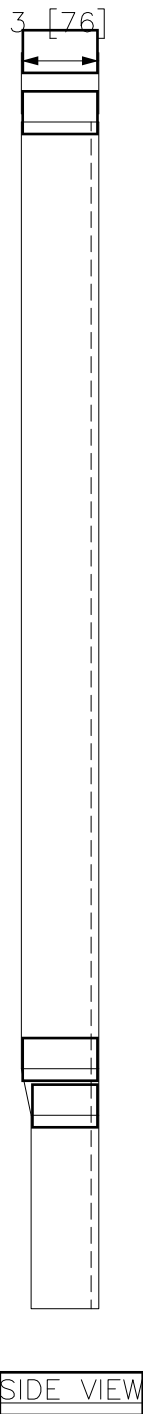


**NOTE:** Form from 10-gage [3.42] thick steel sheet that is 11-1/4 [286] wide and 157 [3988] long.



BENT PLATE RUB RAIL



RER01

|           |           |
|-----------|-----------|
| SHEET NO. | DATE:     |
| 1 of 2    | 12/4/2018 |

## SPECIFICATIONS

RER01 Bent Plate Rub Rails shall be manufactured from steel that conforms to AASHTO M 180 Class B with Type II corrosion protection. Where corrosion-resistant steel is required, steel shall conform to ASTM A588/A588M and shall not be galvanized, painted or otherwise coated.

Inertial properties shown below are based on the gross cross-section dimensions without a reduction for splice or post bolt holes.

| Designator | Area<br>in <sup>2</sup> [10 <sup>3</sup> mm <sup>2</sup> ] | I <sub>x</sub><br>in <sup>4</sup> [10 <sup>6</sup> mm <sup>4</sup> ] | I <sub>y</sub><br>in <sup>4</sup> [10 <sup>6</sup> mm <sup>4</sup> ] | S <sub>x</sub><br>in <sup>3</sup> [10 <sup>3</sup> mm <sup>3</sup> ] | S <sub>y</sub><br>in <sup>3</sup> [10 <sup>3</sup> mm <sup>3</sup> ] |
|------------|--|--|--|--|--|
| RER01      | 1.53 [0.99]  | 1.15 [0.48]  | 9.25 [3.85]  | 0.52 [8.6]   | 3.13 [51.3]  |

Dimensional tolerances not shown or implied are intended to be those consistent with the proper functioning of the part, including its appearance and accepted manufacturing practices.

## INTENDED USE

RER01 Bent Plate Rub Rails are used with the following Systems:

- SGM06a, Strong-Post W-Beam Median Barrier with Rub Rail, Steel Posts.
- SGM06b, Strong-Post W-Beam Median Barrier with Rub Rail, Wood Posts.

## BENT PLATE RUB RAIL

**RER01**

SHEET NO.

DATE

2 of 2

12/4/2018

