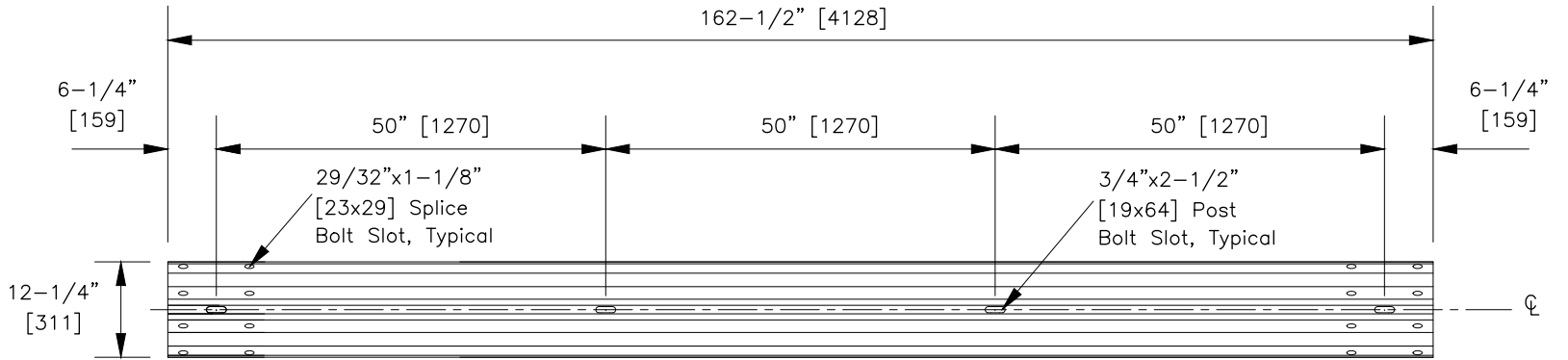


RWM03a-b  
 SHEET NO. 1 of 2  
 DATE 9/15/2023

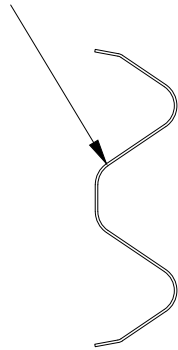
3-SPACE W-BEAM GUARDRAIL



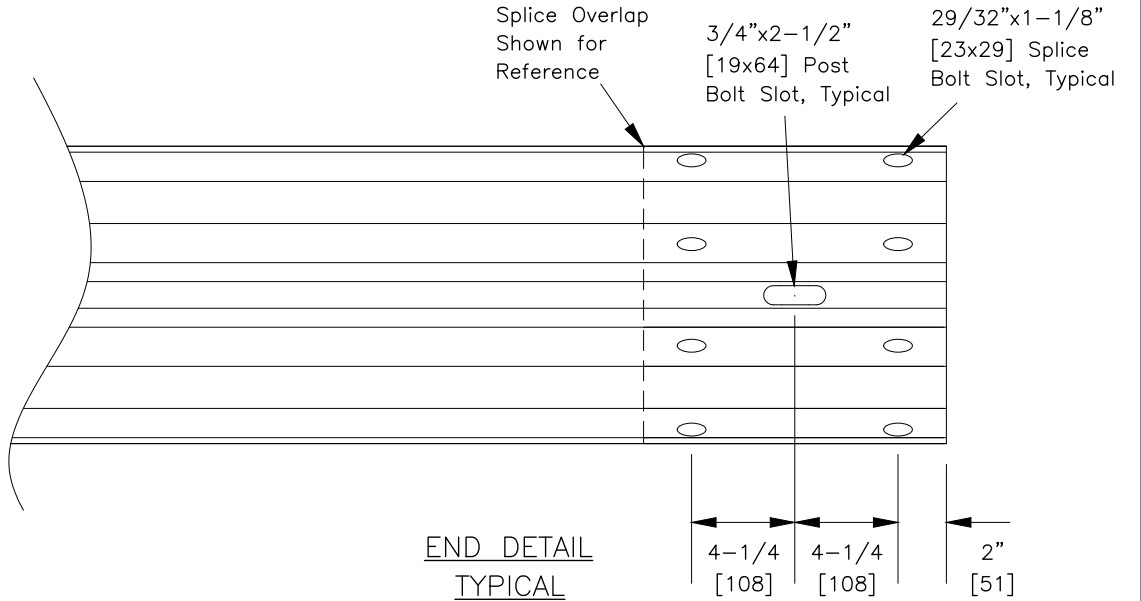
FRONT ELEVATION VIEW

Designator	Base Metal Thickness
RWM03a	12 Gauge [2.67]
RWM03b	10 Gauge [3.43]

Cross-Section Dimensions for this part are the same as Part RWM02a-b, Sheet 3 of 3.



SECTION VIEW



END DETAIL TYPICAL

## SPECIFICATIONS

Corrugated sheet steel w-beam shall conform to the current requirements of AASHTO M180. The section shall be manufactured from sheets with a nominal width of 19" [483]. RWM03a shall conform to AASHTO M180 Class A and RWM03b shall conform to Class B. Inertial properties are calculated for the whole cross-section without a reduction for holes or slots.

<b>Designator</b>	<b>Base Metal Thickness Gauge [mm]</b>	<b>Area</b> in <sup>2</sup> [10 <sup>3</sup> mm <sup>2</sup> ]	<b>I<sub>x</sub></b> in <sup>4</sup> [10 <sup>6</sup> mm <sup>4</sup> ]	<b>I<sub>y</sub></b> in <sup>4</sup> [10 <sup>6</sup> mm <sup>4</sup> ]	<b>S<sub>x</sub></b> in <sup>3</sup> [10 <sup>3</sup> mm <sup>3</sup> ]	<b>S<sub>y</sub></b> in <sup>3</sup> [10 <sup>3</sup> mm <sup>3</sup> ]
RWM03a	12 [2.67]	2.01 [1.3]	2.40 [1.0]	--	1.40 [23.0]	--
RWM03b	10 [3.43]	2.63 [1.7]	3.12 [1.3]	--	1.77 [29.0]	--

Dimensional tolerances not shown or implied are intended to be those consistent with the proper functioning of the part, including its appearance and accepted manufacturing practices.

## INTENDED USE

RWM03a-b W-beam guardrail section is used in various W-beam guardrail systems.

## CONTACT INFORMATION

Task Force 13 (TF13)  
a Non-Profit Association  
<https://TF13.org>

## 3-SPACE W-BEAM GUARDRAIL

**RWM03a-b**



SHEET NO.

DATE

2 of 2

9/15/2023