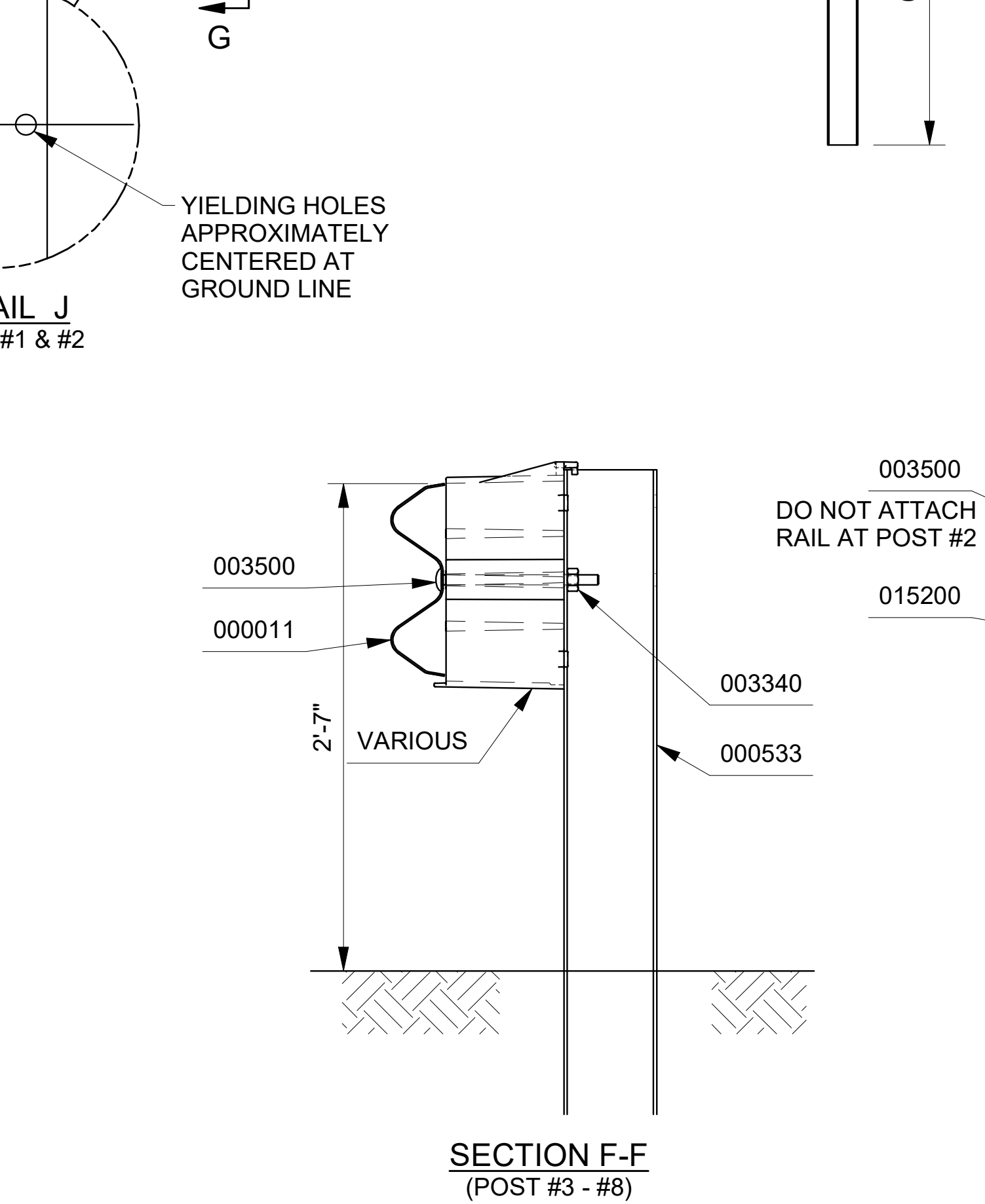
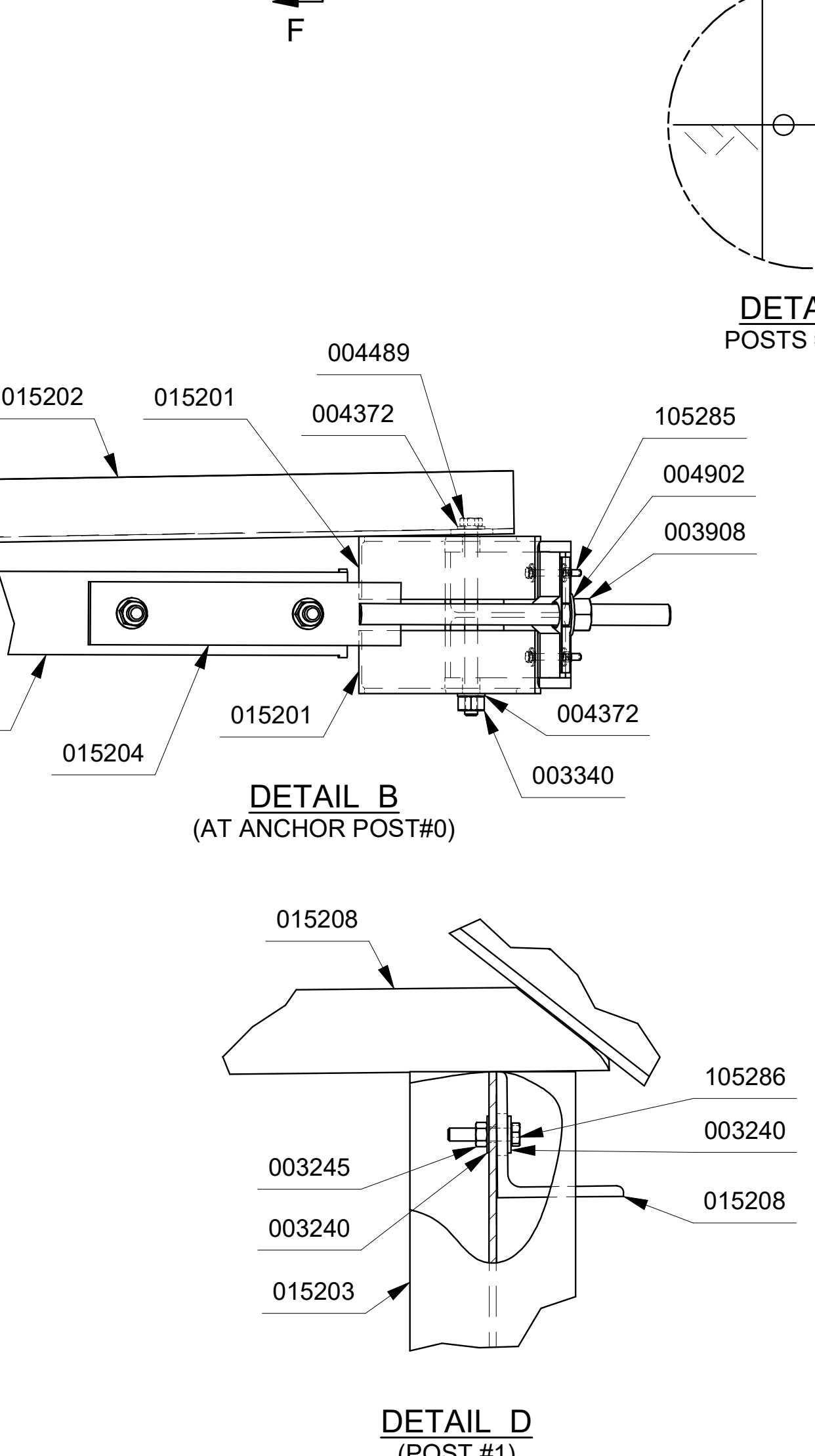
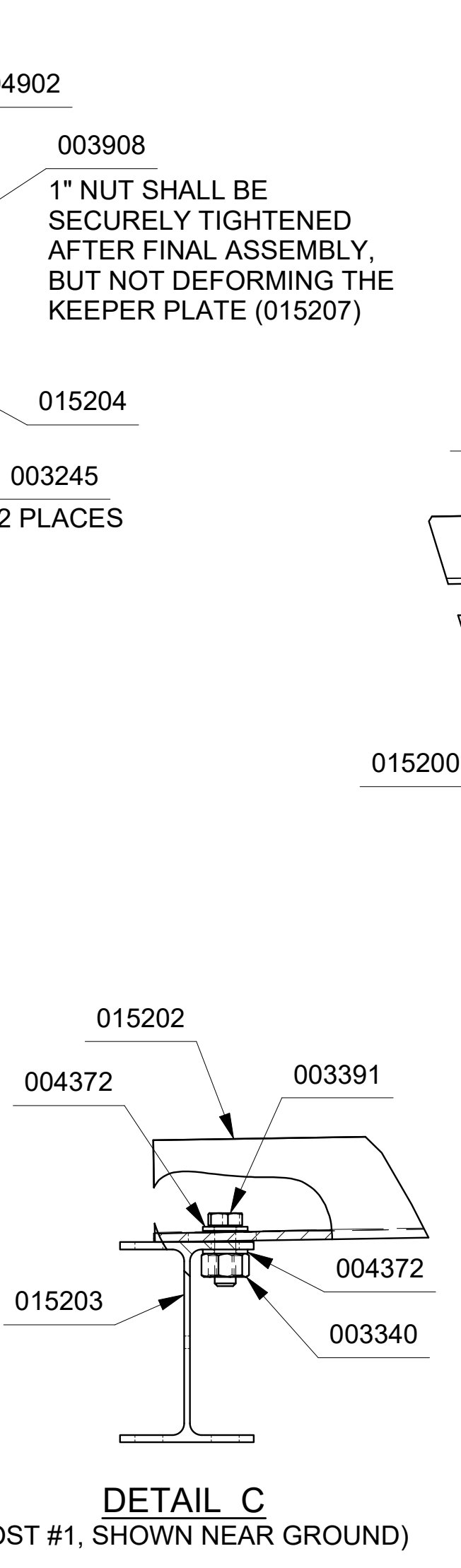
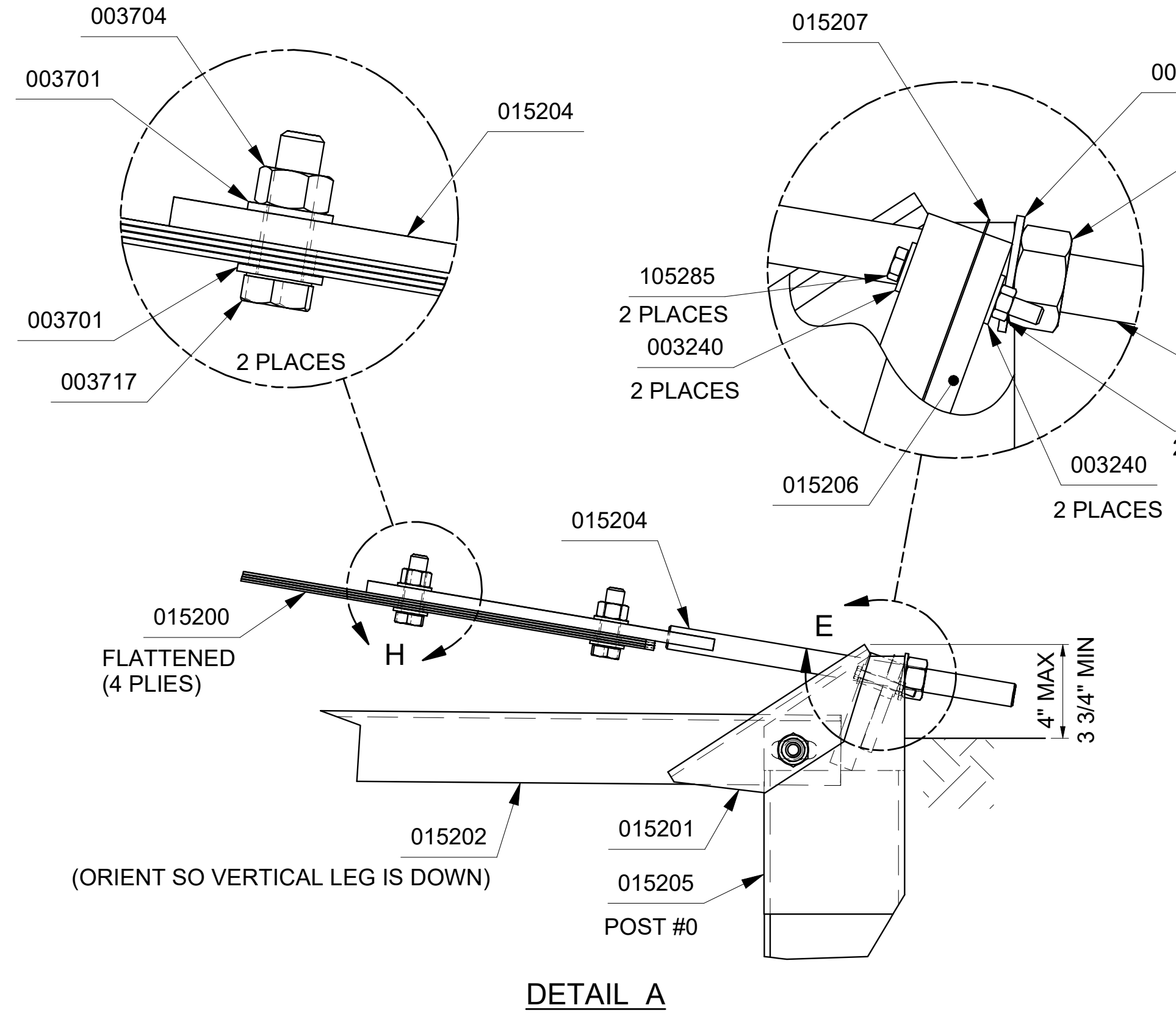
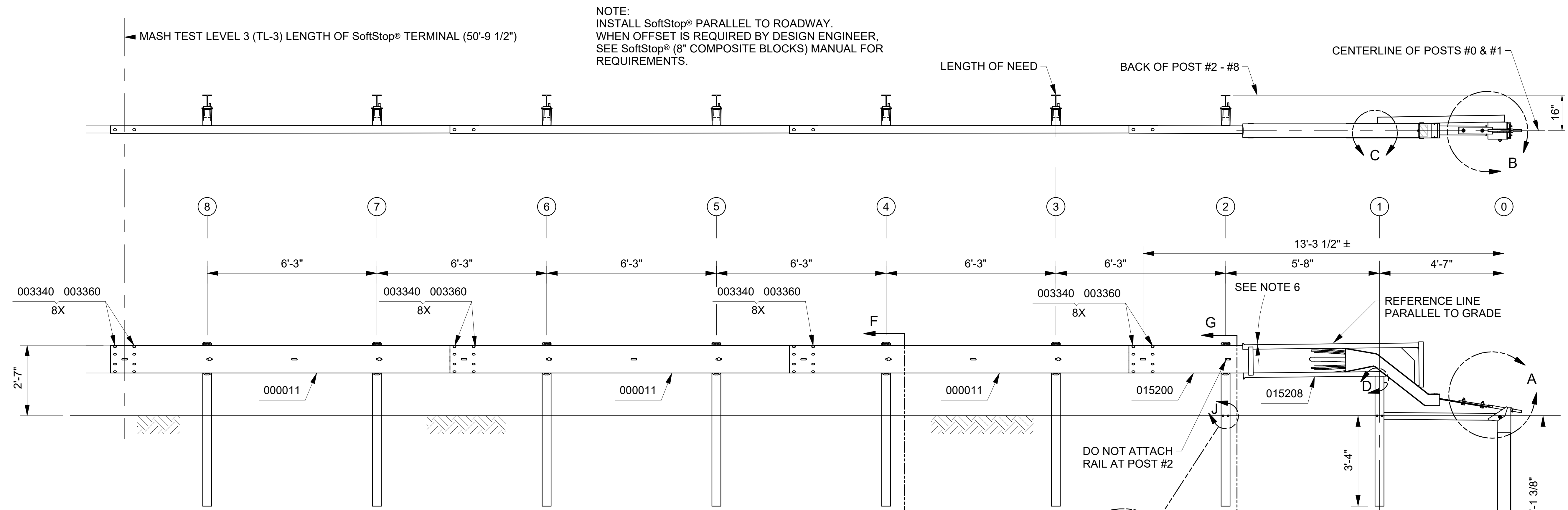


PARTS LIST		
PART NO.	QTY.	DESCRIPTION
000011	3	12/12'6/3'1.5/S
000533	6	6'-0" POST / W 6X8.5#
VARIOUS	7	8" COMPOSITE BLOCK
015000	1	6'0 POST/8.5/SYT-POST/7:25
015200	1	SFST-ANCHOR G.RAIL 12'-6"
015202	1	SFST-ANGLE STRUT
015203	1	SFST-POST#1 SYTP
015204	1	SFST-ANCHOR PADDLE
015205	1	SFST-POST#0
015208	1	SFST-IMPACT HEAD
HARDWARE KIT 034429		
003240	6	WASHER,FLAT,5/16 W,TY A,G
003245	3	5/16" HEX NUT A563
003340	41	NUT,HX,5/8,G,RAIL
003360	32	5/8"X1.25" GR BOLT
003391	1	5/8"X1.75" HEX BOLT A325
003500	7	BOLT,RAIL,5/8-11X10
003701	4	3/4" ROUND WASHER F436
003704	2	3/4" HVY HEX NUT A563 DH
003717	2	3/4"X2.5" HEX BOLT A325
003908	1	1" HVY HEX NUT A563 DH
004372	4	WASHER,FLAT,5/8,HARD,TY 1,G
004489	1	5/8"X9" HEX BOLT A325
004902	1	1" ROUND WASHER F436
105285	2	5/16" X 2.5" HEX BOLT GRD 5
105286	1	5/16" X 1.5" HEX BOLT GRD 5
015201	2	SFST-ANCHOR ANGLE
015206	1	SFST-PLATE WASHER
015207	1	SFST-KEEPER PLATE



- NOTES:
- REFER TO SoftStop® (8" COMPOSITE BLOCKS) ASSEMBLY MANUAL.
  - PROPER SITE GRADING SHOULD BE ACCOMPLISHED IN ACCORDANCE WITH LOCAL SPECIFYING AGENCY GUIDELINES AND THE AASHTO ROADSIDE DESIGN GUIDE.
  - DO NOT ATTACH THE SoftStop® DIRECTLY TO A RIGID BARRIER.
  - UNDER NO CIRCUMSTANCES SHALL THE GUARDRAIL WITHIN THE SoftStop® BE CURVED.
  - MANUFACTURER SUGGESTS CUSTOMER TO PROVIDE REFLECTORIZATION OF THE TERMINAL.
  - IT IS ACCEPTABLE TO INSTALL THE SoftStop® IMPACT HEAD PARALLEL TO THE GRADE LINE OR WITH AN UPWARD TILT. SEE SoftStop® ASSEMBLY MANUAL FOR SPECIFIC DETAILS.

DRAWN: BT	DATE: 11/14/2012	MODEL: TL-3 / 8" BLOCK / 12'6"			
CHECKED: BS	DATE: 11/14/2012	TRAFFIC DIRECTION: UNIDIRECTIONAL			
UNLESS OTHERWISE NOTED, DIMENSIONS ARE IN MILLIMETERS (INCH). DIMENSIONS ACCORDING TO ASME Y14.5-2018 AND QMS-SE-003 UNLESS OTHERWISE SPECIFIED.					
REVISION DESCRIPTION	ECO	DATE	REV	BY	CHK
UPDATED 16" DIMENSION, REPLACED LENGTH OF NEED CALLOUT MISSING FROM REV 7	4889	7/27/17	H	DDS	KWL
ADDED 8" COMPOSITE BLOCKS TO NOTES & MOVED 015201, 015206 & 015207 TO HDWR KIT	6641	8/1/19	I	DDS	PLK
UPDATE BORDER	8261	10/18/22	J	JM	KWL

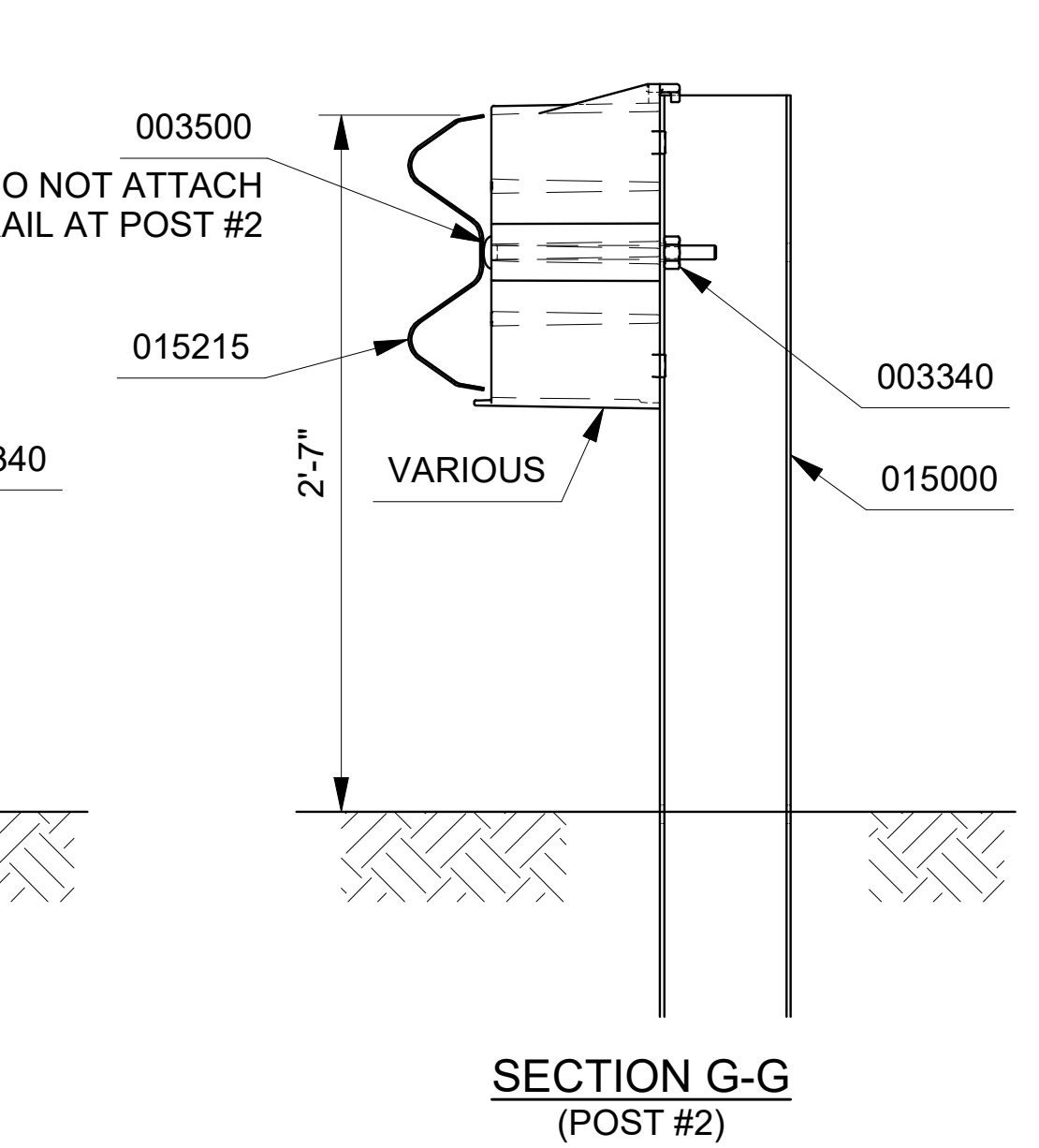
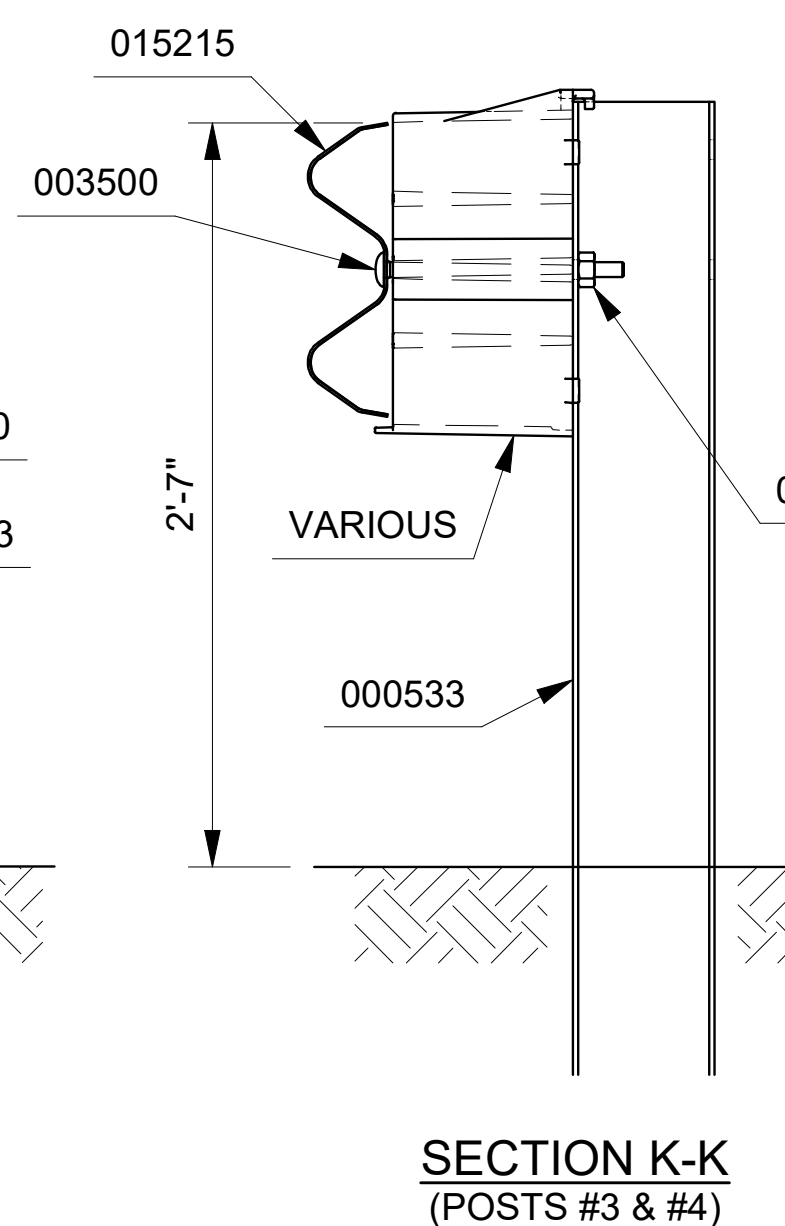
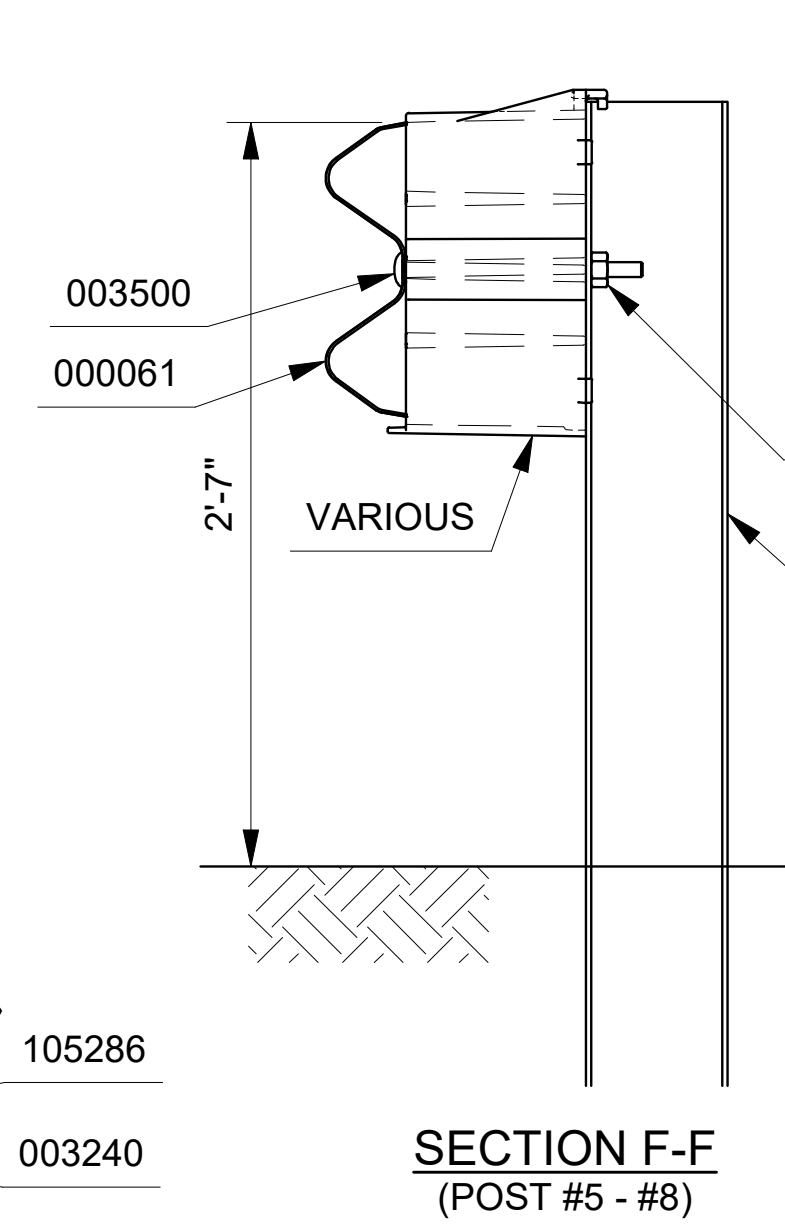
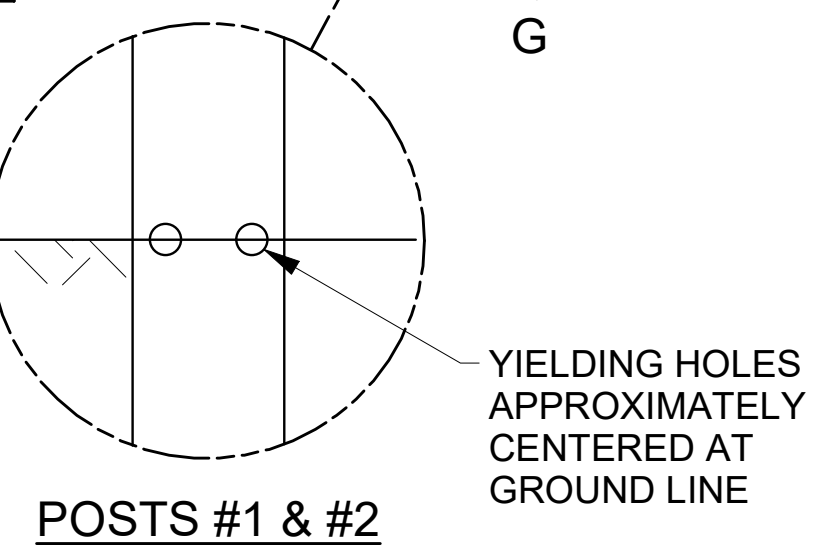
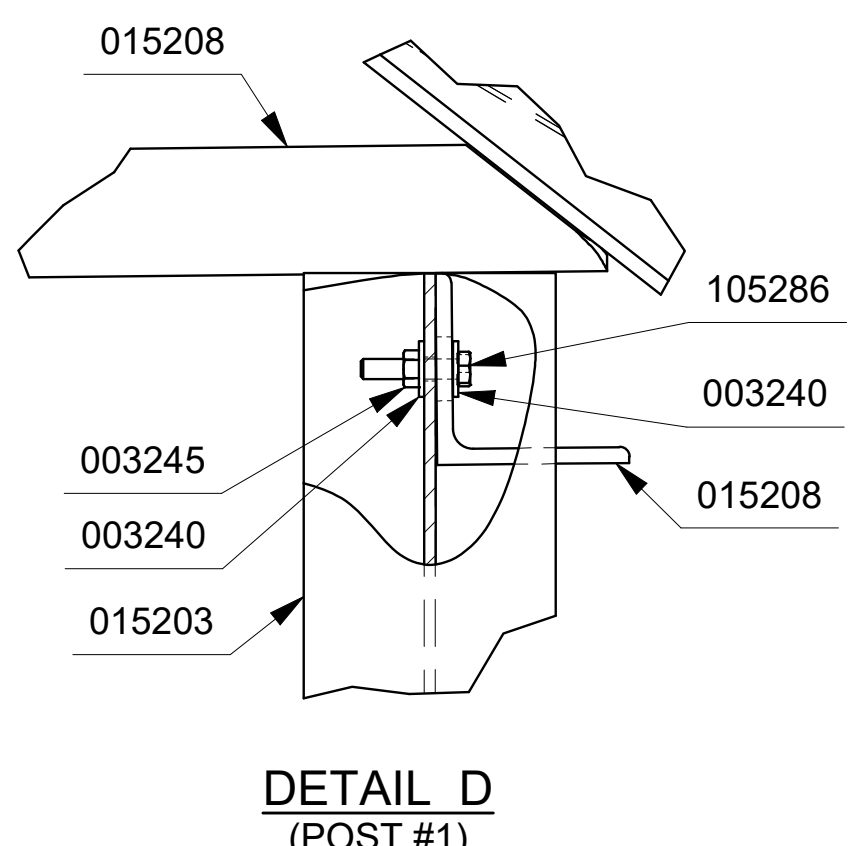
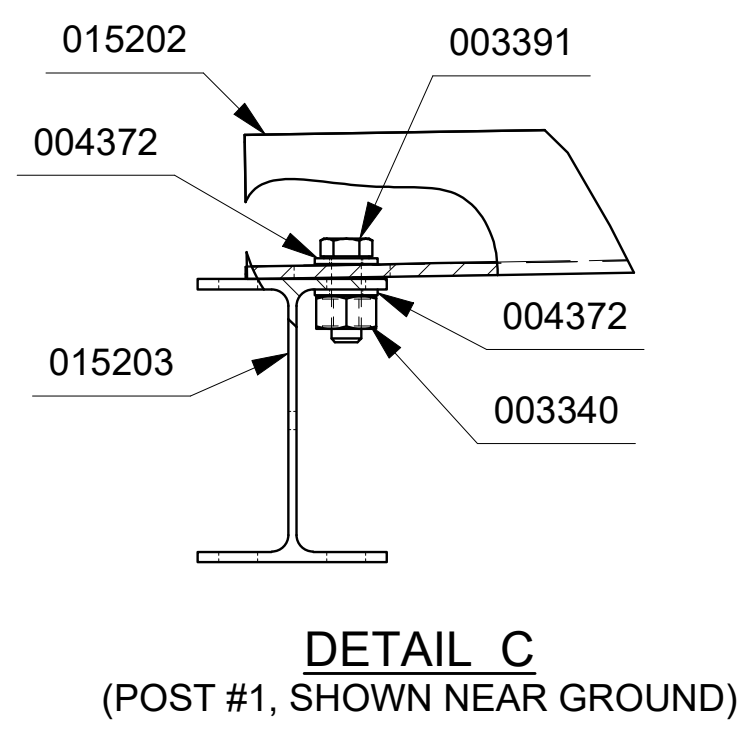
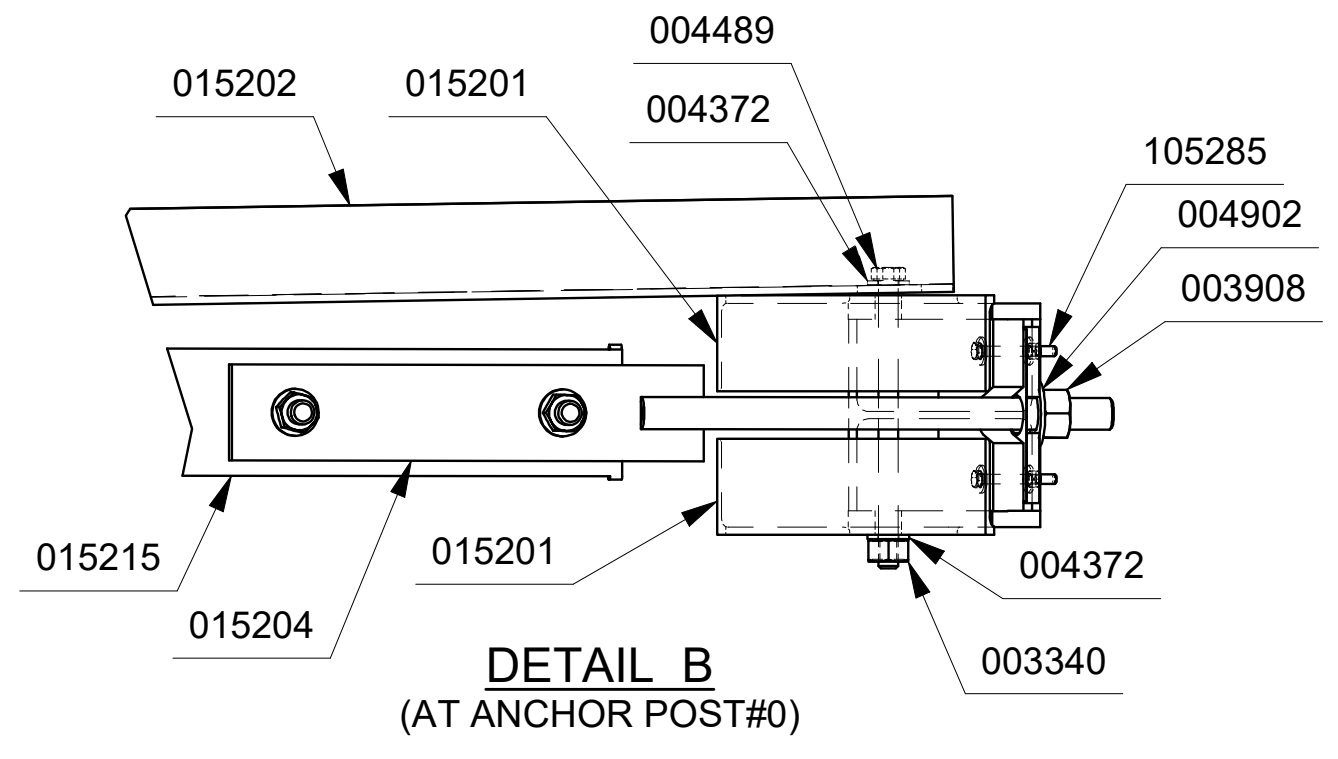
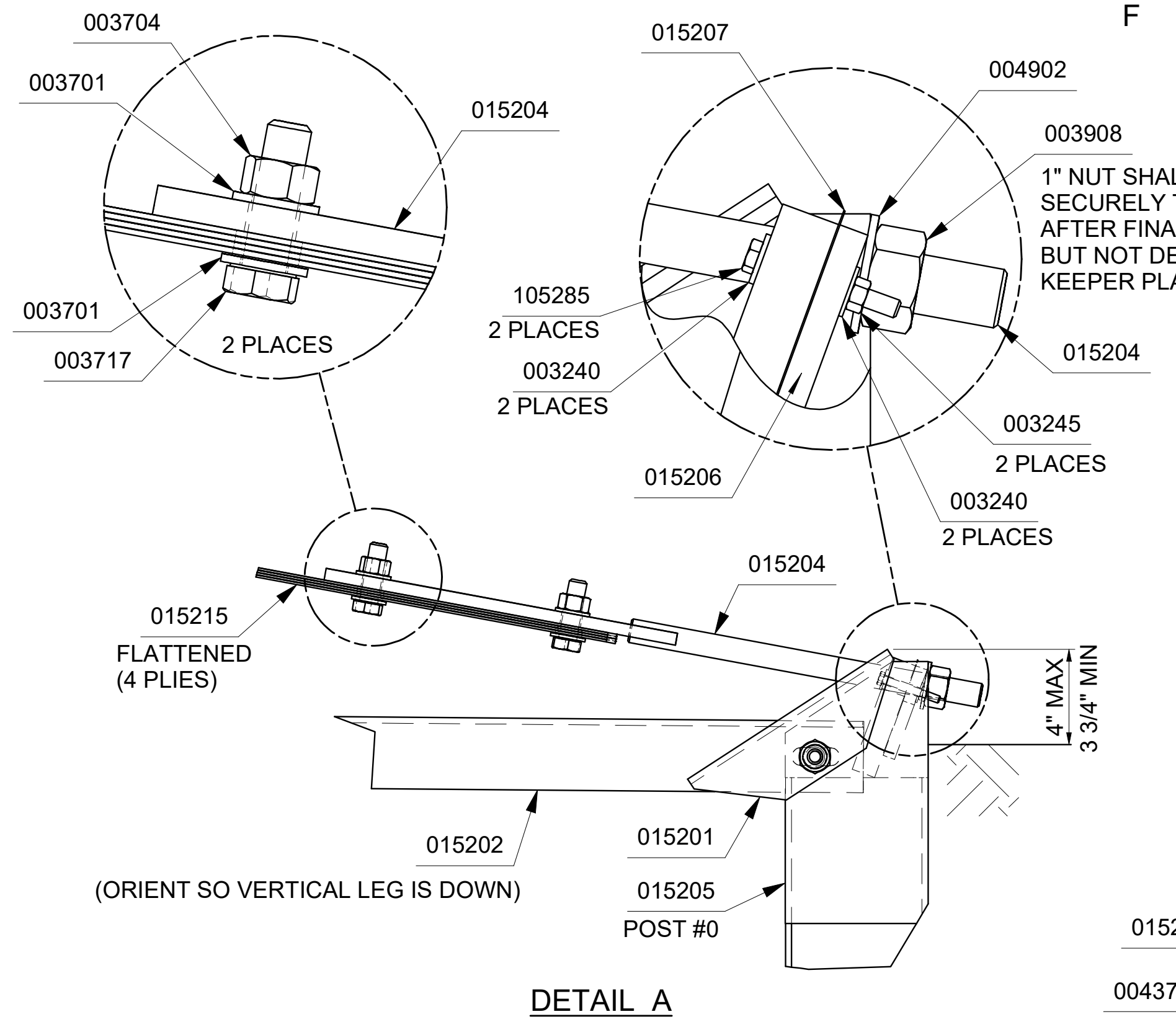
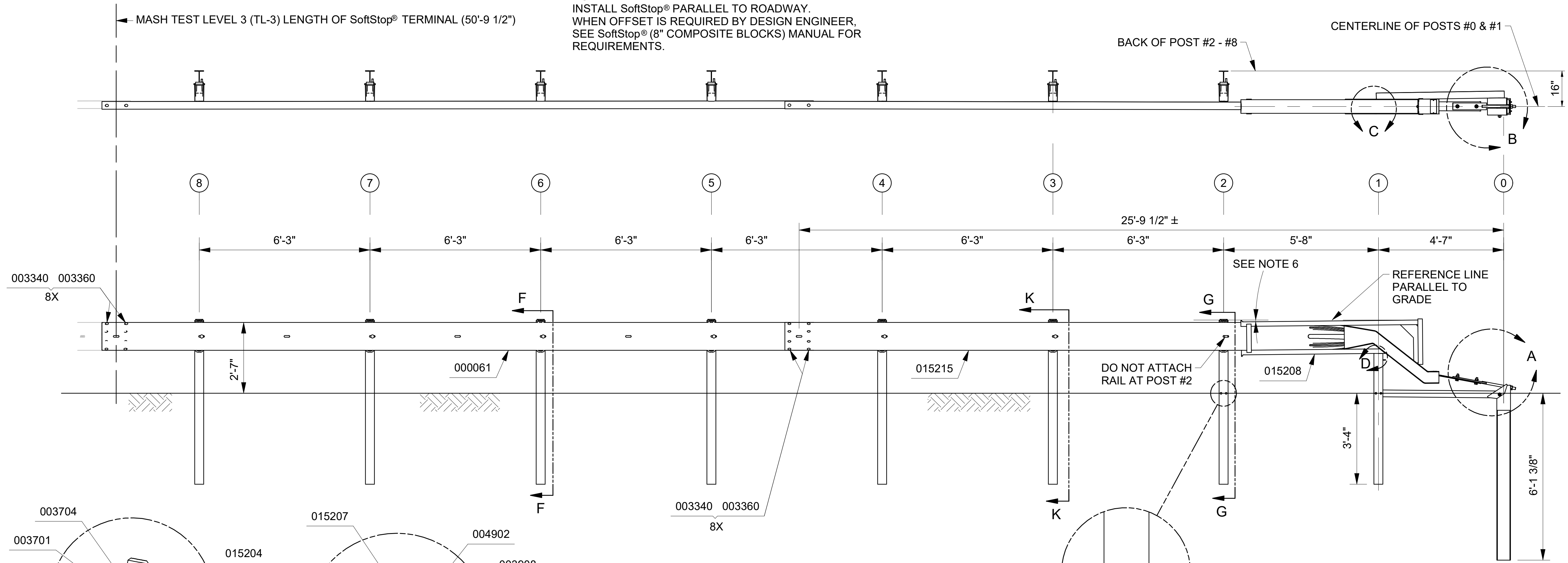
SoftStop® TERMINAL (8" BLOCKS) PLAN, ELEVATION & SECTION MASH TEST LEVEL 3 (TL-3) P/N: 500646

SS 646

1 of 1

PARTS LIST		
PART NO.	QTY.	DESCRIPTION
000061	1	12/25'0/3'1.5/S
000533	6	6'-0" POST / W 6X8.5#
VARIOUS	7	8" COMPOSITE BLOCK
015000	1	6'0 POST/8.5/SYT-POST/7:25
015202	1	SFST-ANGLE STRUT
015203	1	SFST-POST#1 SYTP
015204	1	SFST-ANCHOR PADDLE
015205	1	SFST-POST#0
015208	1	SFST-IMPACT HEAD
015215	1	SFST-ANCHOR G.RAIL 25'-0"
HARDWARE KIT 034429		
003240	6	WASHER,FLAT,5/16 W,TY A,G
003245	3	5/16" HEX NUT A563
003340	25	NUT,HX,5/8,G,RAIL
003360	16	5/8"X1.25" GR BOLT
003391	1	5/8"X1.75" HEX BOLT A325
003500	7	BOLT,RAIL,5/8-11X10
003701	4	3/4" ROUND WASHER F436
003704	2	3/4" HVY HEX NUT A563 DH
003717	2	3/4"X2.5" HEX BOLT A325
003908	1	1" HVY HEX NUT A563 DH
004372	4	WASHER,FLAT,5/8,HARD,TY 1,G
004489	1	5/8"X9" HEX BOLT A325
004902	1	1" ROUND WASHER F436
105285	2	5/16" X 2.5" HEX BOLT GRD 5
105286	1	5/16" X 1.5" HEX BOLT GRD 5
015201	2	SFST-ANCHOR ANGLE
015206	1	SFST-PLATE WASHER
015207	1	SFST-KEEPER PLATE

NOTE:  
 INSTALL SoftStop® PARALLEL TO ROADWAY.  
 WHEN OFFSET IS REQUIRED BY DESIGN ENGINEER,  
 SEE SoftStop® (8" COMPOSITE BLOCKS) MANUAL FOR  
 REQUIREMENTS.



- NOTES:
- REFER TO SoftStop® (8" COMPOSITE BLOCKS) ASSEMBLY MANUAL.
  - PROPER SITE GRADING SHOULD BE ACCOMPLISHED IN ACCORDANCE WITH LOCAL SPECIFYING AGENCY GUIDELINES AND THE AASHTO ROADSIDE DESIGN GUIDE.
  - DO NOT ATTACH THE SoftStop® DIRECTLY TO A RIGID BARRIER.
  - UNDER NO CIRCUMSTANCES SHALL THE GUARDRAIL WITHIN THE SoftStop® BE CURVED.
  - MANUFACTURER SUGGESTS CUSTOMER TO PROVIDE REFLECTORIZATION OF THE TERMINAL.
  - IT IS ACCEPTABLE TO INSTALL THE SoftStop® IMPACT HEAD PARALLEL TO THE GRADE LINE OR WITH AN UPWARD TILT. SEE SoftStop® ASSEMBLY MANUAL FOR SPECIFIC DETAILS.

DRAWN: D. HAYES	DATE: 2/3/2016	MODEL: TL-3 / 8" BLOCK / 25'
CHECKED: K. LOONEY	DATE: 2/10/2016	TRAFFIC DIRECTION: UNIDIRECTIONAL
UNLESS OTHERWISE NOTED, DIMENSIONS ARE IN MILLIMETERS (INCH). DIMENSIONS ACCORDING TO ASME Y14.5-2018 AND QMS-SE-003 UNLESS OTHERWISE SPECIFIED.		
REVISION DESCRIPTION	ECO	DATE
INITIAL RELEASE	4168	2/3/16
ADDED 8" COMPOSITE BLOCKS TO NOTES & MOVED 015201, 015206 & 015207 TO HDWR KIT	6641	8/1/19
UPDATE BORDER	8261	10/18/22

SoftStop® TERMINAL (8" BLOCKS)  
 PLAN, ELEVATION & SECTION  
 MASH TEST LEVEL 3 (TL-3)  
 P/N: 500673B

