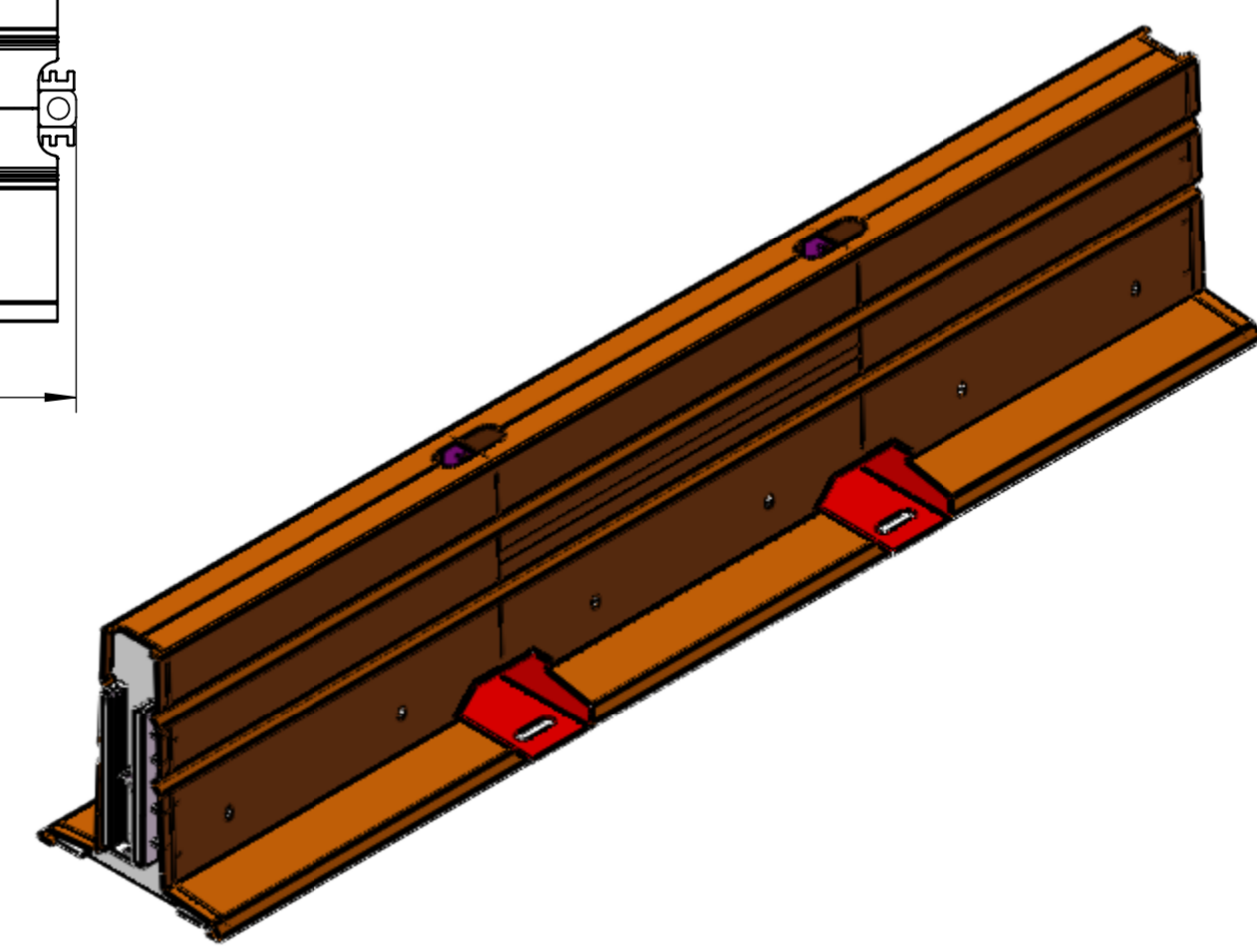
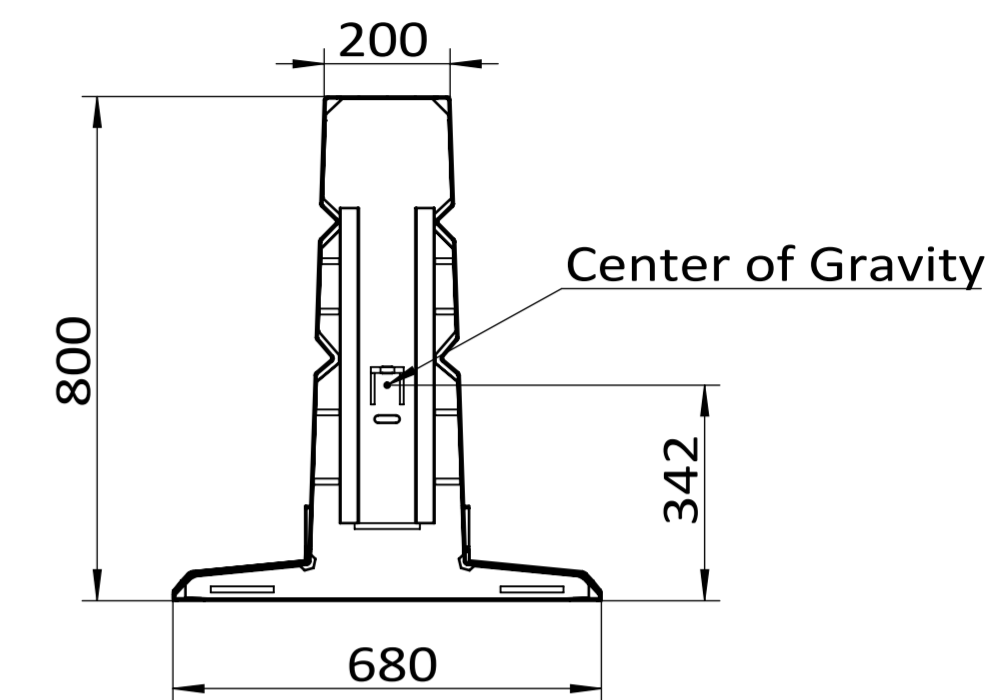
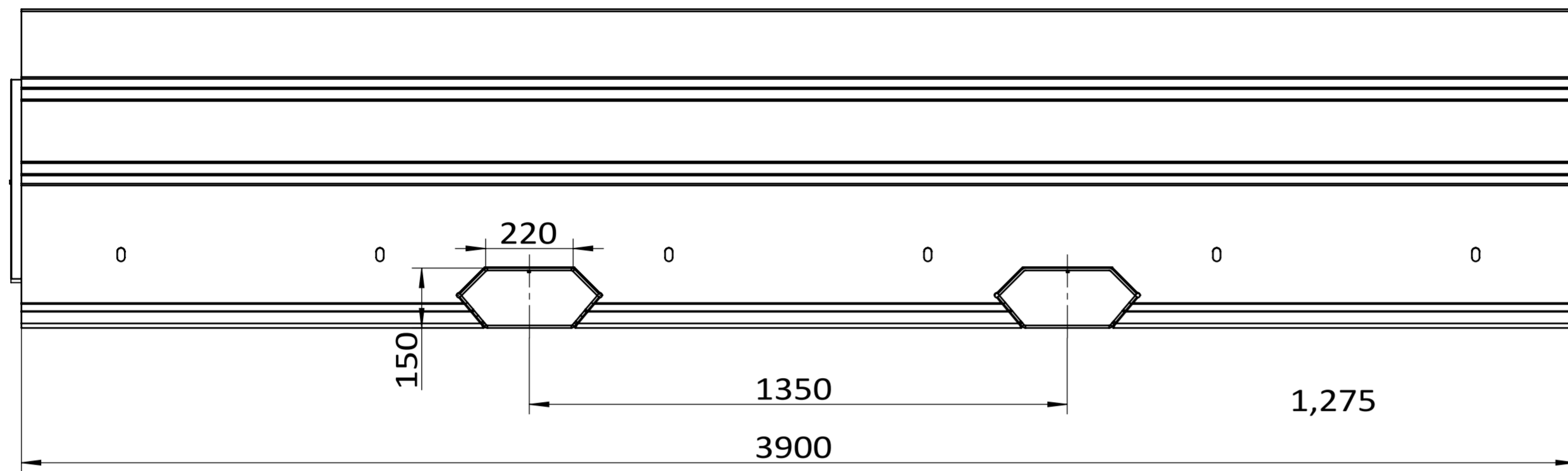


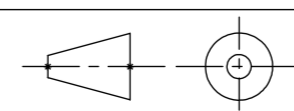
ITEM	DRAWING NO.	DESCRIPTION	QTY.
1	D1	DEFENDER MAIN BODY	1



Tolerances unless otherwise stated  
Machining: up to 300mm ±0.50  
300 to ~ ±0.80  
Fabrication: up to 300mm ±2.00  
300 to 1000mm ±3.00  
1000 to ~ ±6.00  
Angular: all ±2.0°

MATERIAL	SEE PARTS TABLE
FINISH	HOT DIP GALVANISED
WEIGHT	318 KG
DIMENSIONS	MM
DATE	15 Dec. 2016

**SAFE BARRIERS**



SHEET 1 of 1

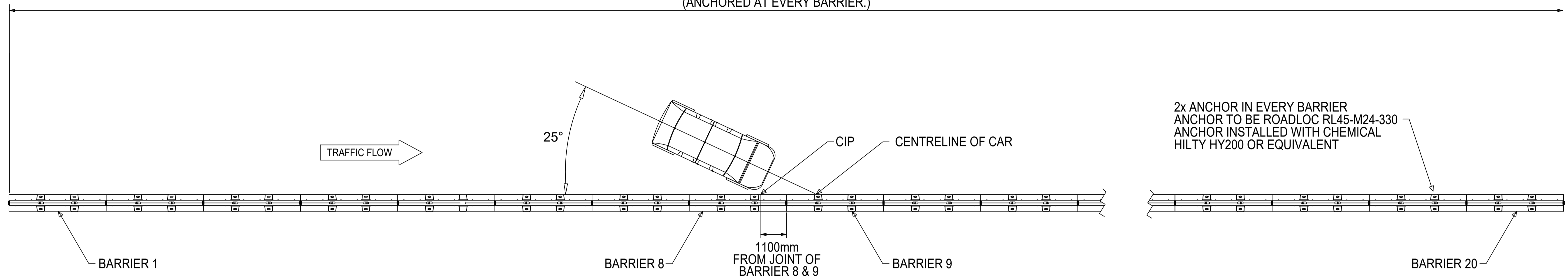
DRAWING DESCRIPTION	DEFENDER 100				
DRAWING REF.	D100				
DRAWN BY	DC	CHECKED	RM	APPROVED	RH

REV	DATE	DESCRIPTION	DRAWN	APPRD.

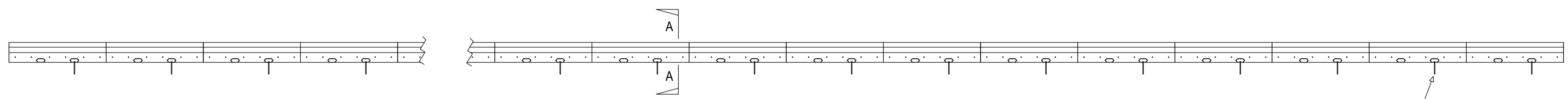
SAFE BARRIERS - DEFENDER 100 LDS 3-10 TEST

PLAN VIEW

DEFENDER 100 LDS SYSTEM  
(ANCHORED AT EVERY BARRIER.)

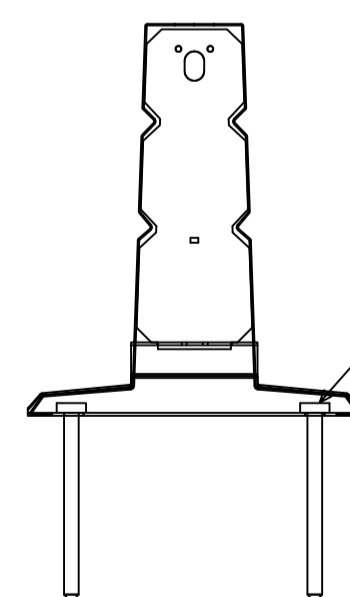


ELEVATION VIEW



2x ANCHOR IN EVERY BARRIER  
ANCHOR TO BE ROADLOC RL45-M24-330  
ANCHOR INSTALLED WITH CHEMICAL  
HILTY HY200 OR EQUIVALENT

A - A  
TYPICAL BARRIER SECTION



ANCHOR IN EVERY BARRIER  
1 ANCHOR EACH SIDE OF BARRIER

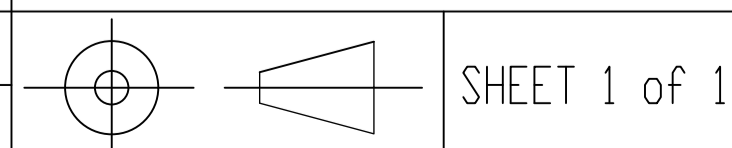
TEST 3-10  
VEHICLE: 1100kg Sedan  
IMPACT SPEED: 100km/h  
IMPACT ANGLE: 25 DEGREES  
CIP: 1100 mm UPSTREAM OF BARRIER 8&9 JOINT

REV	DATE	DESCRIPTION	DRAWN	APPRD.
1	19/04/23	ISSUED FOR CONSTRUCTION	JM	RH
0	5/10/22	ISSUED FOR CONSTRUCTION	JM	RH

**SAFE BARRIERS**

DRAWING DESCRIPTION		DEFENDER BARRIER SYSTEM				
DRAWING REF.		SB-LDS-TEST SETOUT-3-10				
DRAWN BY	JM	CHECKED	CJR	APPROVED	RH	

DIMENSIONS	MM
DATE	17 AUGUST, 2021



1

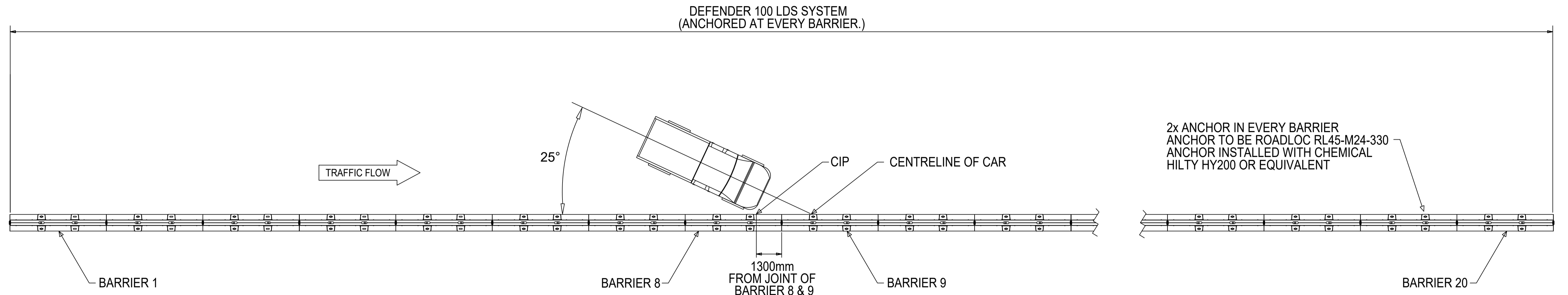
2

3

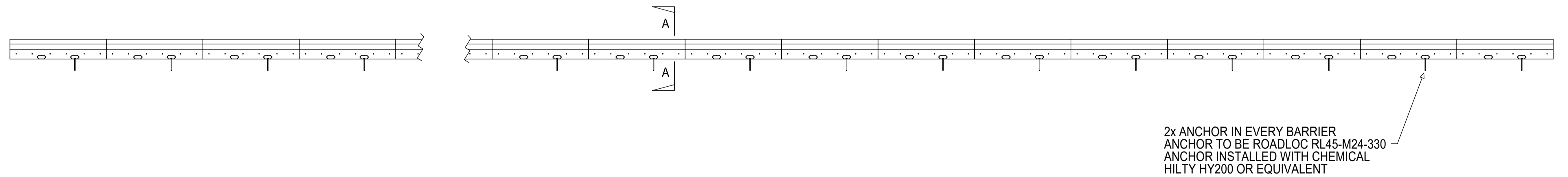
4

SAFE BARRIERS - DEFENDER 100 LDS 3-11 TEST

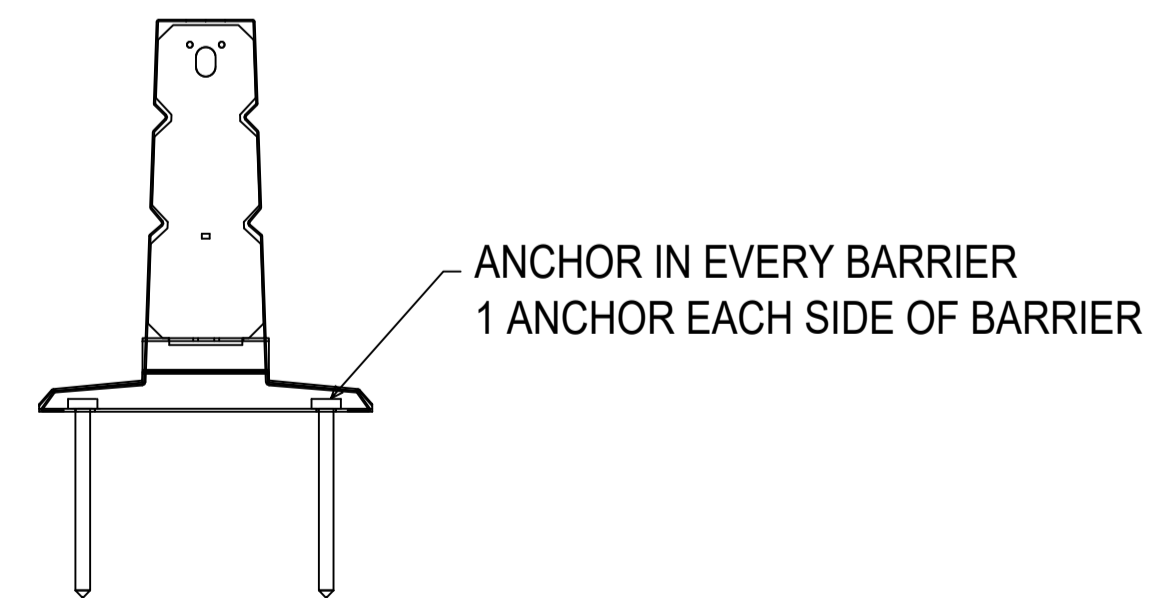
PLAN VIEW



ELEVATION VIEW



A - A  
TYPICAL BARRIER SECTION

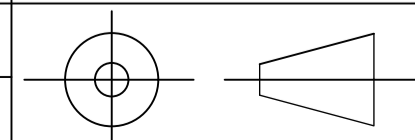


TEST 3-11  
 VEHICLE: 2270P  
 IMPACT SPEED: 100km/h  
 IMPACT ANGLE: 25 DEGREES  
 CIP: 1300 mm UPSTREAM OF BARRIER 8&9 JOINT

REV	DATE	DESCRIPTION	DRAWN	APPRD.
3	17/04/23	ISSUED FOR CONSTRUCTION	JM	RH
2	3/02/23	ISSUED FOR CONSTRUCTION	JM	RH
1	5/10/22	ISSUED FOR CONSTRUCTION	JM	RH
0	30/05/22	ISSUED FOR CONSTRUCTION	JM	RH

**SAFE BARRIERS**

DIMENSIONS	MM
DATE	17 AUGUST, 2021



SHEET 1 of 1

DRAWING DESCRIPTION	DEFENDER BARRIER SYSTEM				
DRAWING REF.	SB-LDS-TEST SETOUT-3-11				
DRAWN BY	JM	CHECKED	CJR	APPROVED	RH