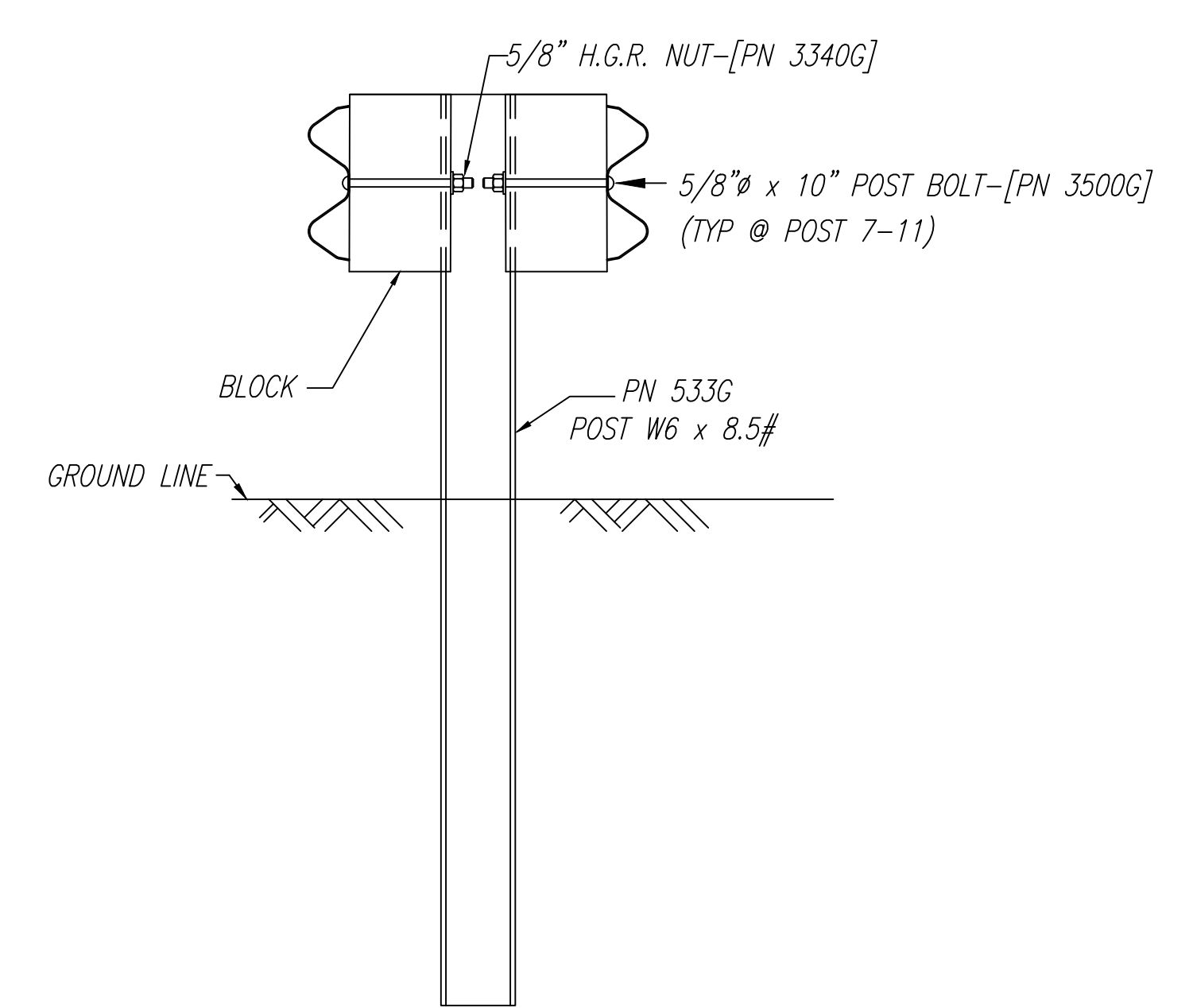
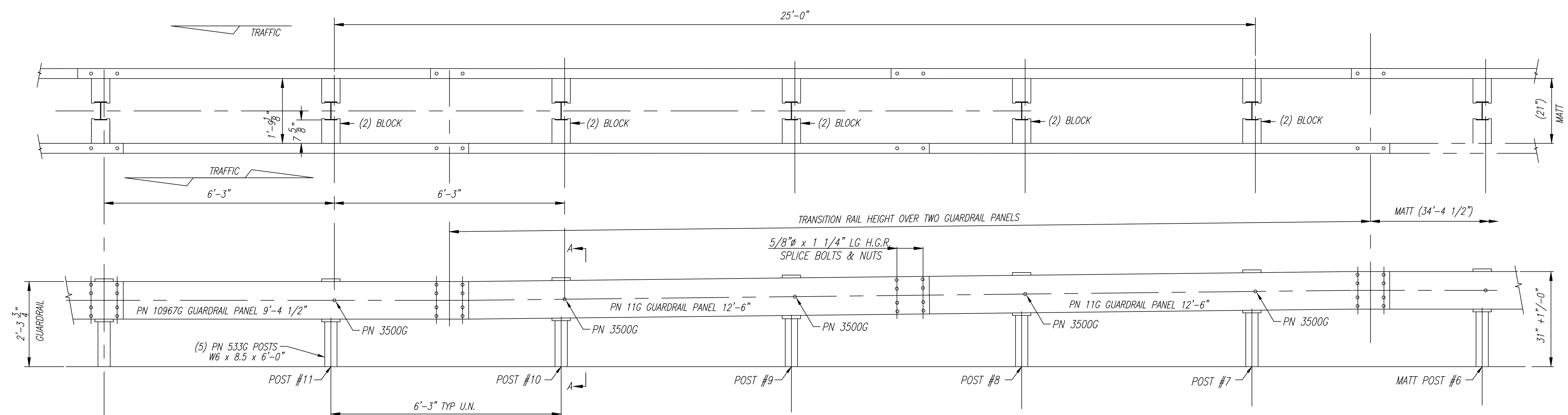


BILL OF MATERIAL		
PN	QTY	DESCRIPTION
11G	4	12/12'6/3'1.5/S (GUARDRAIL)
533G	5	LINE POST
3340G	58	5/8" HGR HEX NUT
3360G	48	5/8"Ø x 1 1/4" SPLICE BOLT
3500G	10	5/8"Ø x 10" GR BOLT A307
VARIOUS	10	COMPOSITE BLOCK 6 x 8 x 14" (NOM)
10967G	2	12/9'4.5/3'1.5/S (GUARDRAIL)



SECTION A-A  
(TYP @ POSTS #7 THRU #11)

NOTE:  
1. MATT TRANSITION DEVELOPED AND IN COMPLIANCE WITH FHWA GUIDANCE (FAQ#13).  
2. LAP ALL SPLICES SHOWN WITHIN THIS DRAWING IN THE DIRECTION OF THE ADJACENT TRAFFIC, UNLESS INDICATED OTHERWISE BY APPROPRIATE SPECIFYING AGENCY.

DRAWN: J. MUSIAL	DATE: 4/25/22	MODEL: N/A
CHECKED: A. COX	DATE: 4/28/22	TRAFFIC DIRECTION: UNI/BIDIRECTIONAL
UNLESS OTHERWISE NOTED, DIMENSIONS ARE IN MILLIMETERS [INCH]. DIMENSIONS ACCORDING TO ASME Y 14.5-2018 AND QMS-SE-003 UNLESS OTHERWISE SPECIFIED.		
REVISION DESCRIPTION	ECO	DATE
INITIAL RELEASE	8067	4/28/22
UPDATE BORDER	8260	10/14/22

MATT™

MATT TRANSITION  
TO 27 3/4" GUARDRAIL BARRIER  
PLAN, ELEVATION & SECTIONS

SS 6287

