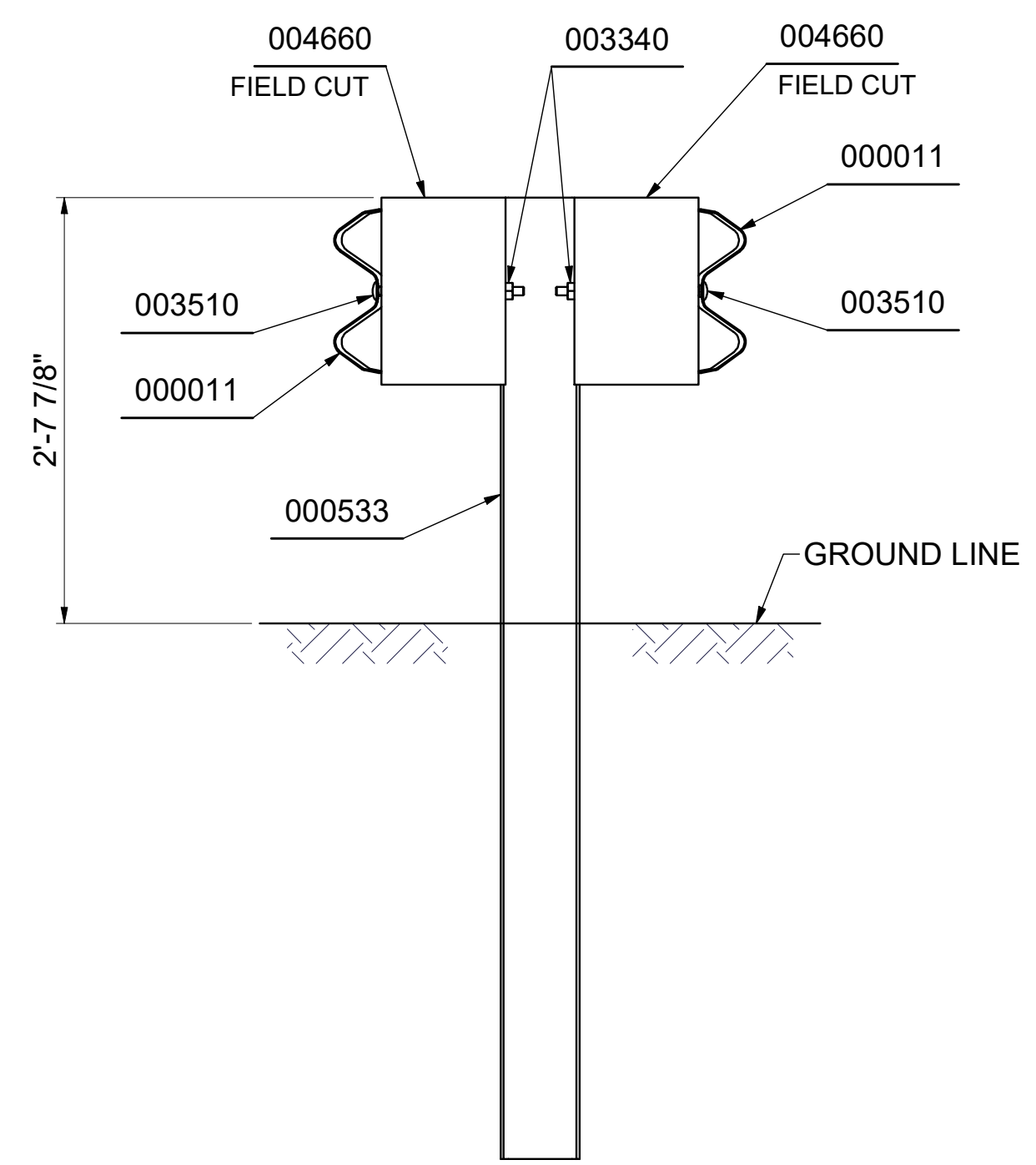
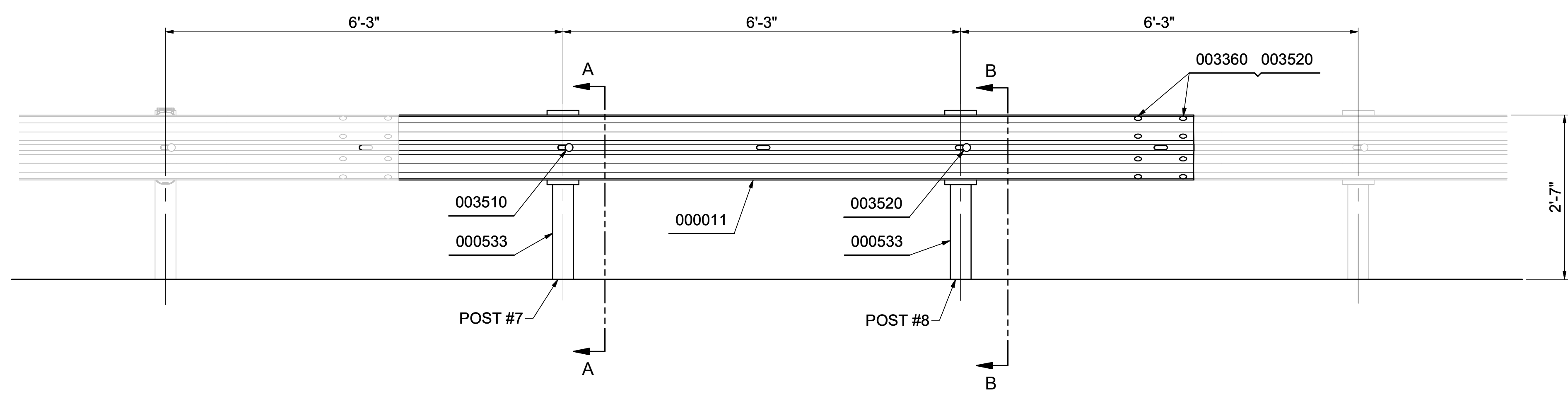
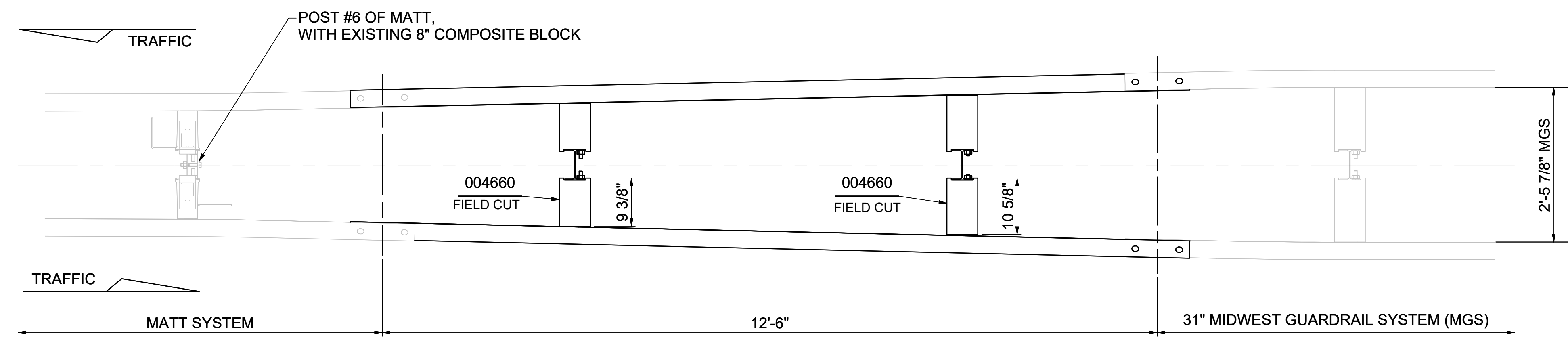
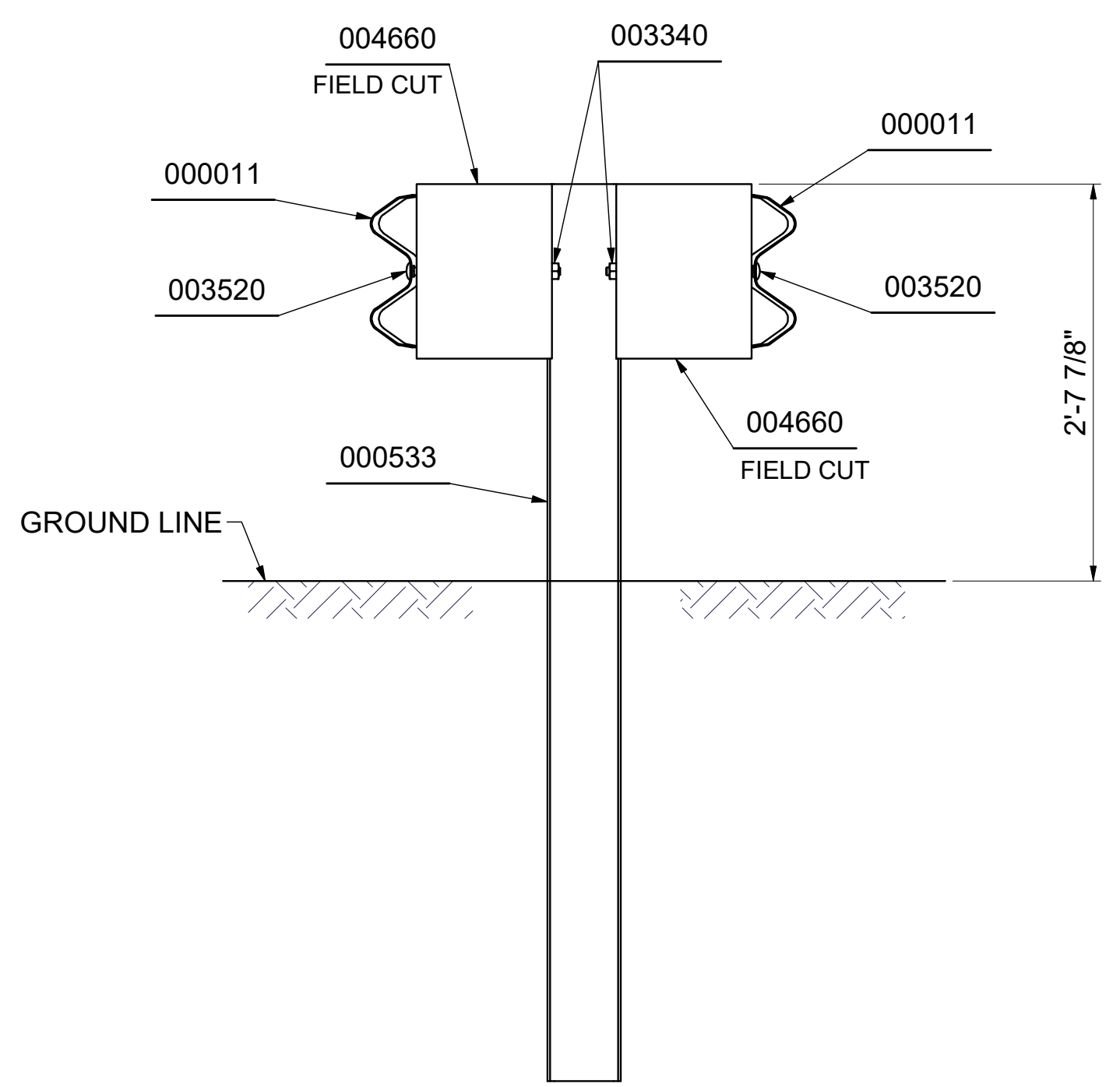


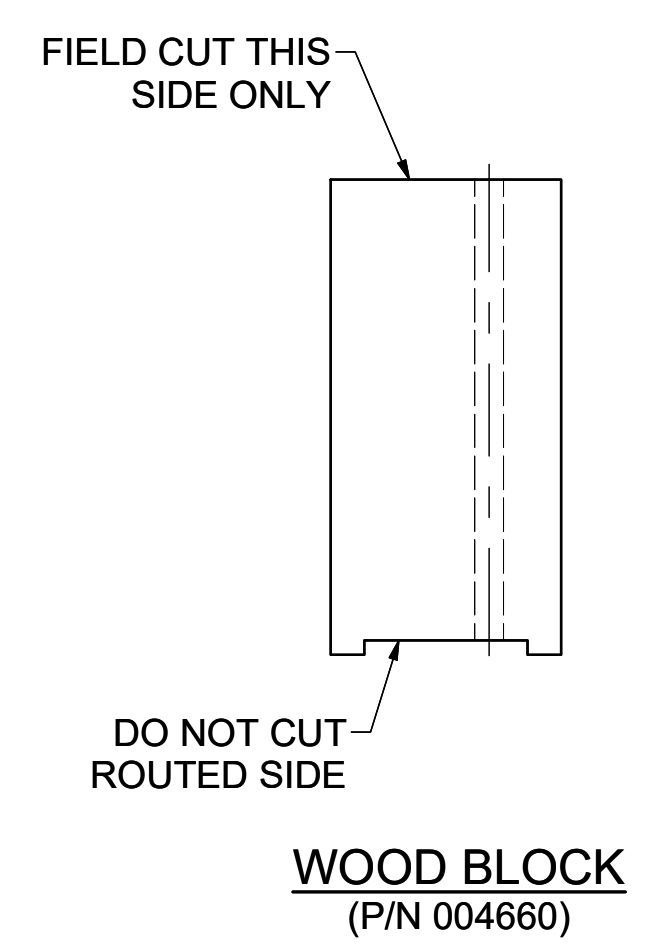
PARTS LIST		
PART NO.	QTY.	DESCRIPTION
000011	2	12/12/6/3'1.5/S
000533	2	6'-0" POST / W 6X8.5#
004660	4	WD BLK RTD 6X12.375X14
003340	20	NUT, HX, 5/8, G, RAIL
003360	16	5/8"X1.25" GR BOLT
003510	2	BOLT, RAIL, 5/8-11X11
003520	2	5/8"X12" GR BOLT A307



**SECTION A-A**  
(TYP POST #7)



**SECTION B-B**  
(TYP POST #8)



- NOTES:**
- DEVELOPED FROM INFORMATION CONTAINED IN THE AASHTO RDG, 4TH EDITION (PUBLISHED 2011), SECTION 5.6.3 FLARE RATE, TO INCLUDE TABLE 5-9, FOR MINIMUM FLARE RATES.
  - PROPER SITE GRADING MUST BE ACCOMPLISHED PRIOR TO ASSEMBLY AND IN ACCORDANCE WITH STATE/SPECIFYING AGENCY GUIDELINES AND/OR THE AASHTO ROADSIDE DESIGN GUIDE.

DRAWN: D. HAYES	DATE: 2/1/2022	MODEL: N/A
CHECKED: A. COX	DATE: 2/23/2022	TRAFFIC DIRECTION: BIDIRECTIONAL
UNLESS OTHERWISE NOTED, DIMENSIONS ARE IN MILLIMETERS (INCH). DIMENSIONS ACCORDING TO ASME Y14.5-2018 AND QMS-SE-003 UNLESS OTHERWISE SPECIFIED.		
REVISION DESCRIPTION	ECO	DATE
INITIAL RELEASE	7986	—
UPDATE BORDER	8260	10/12/22
	A	JM
		KL

**MATT™**  
MATT TRANSITION TO  
MGS MEDIAN BARRIER  
(12" BLOCKS)



© Valtir, LLC. All rights reserved.