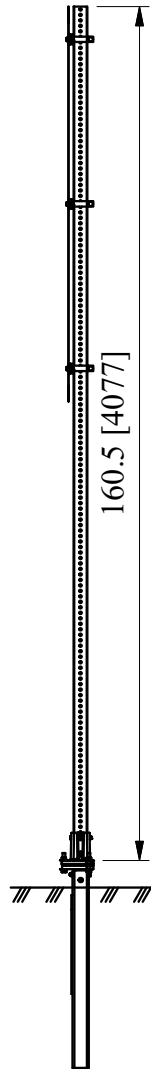
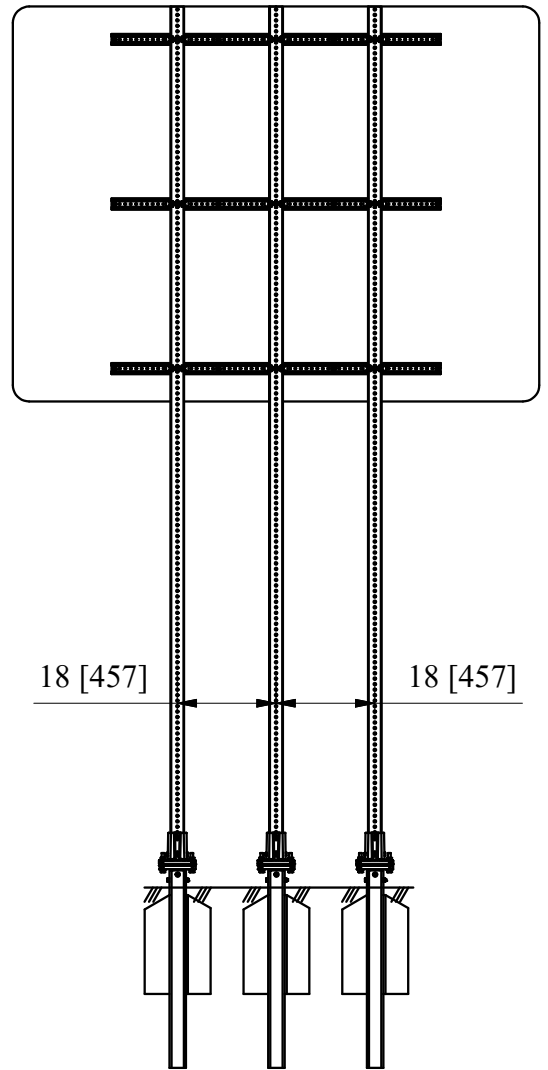


FRONT



SIDE



BACK

2024

**S-Q 8 SLIP BASE SIGN SUPPORT SYSTEM - 3-POST**



**SSS23a**

SHEET NO.

DATE

1 of 4

4/22/2024

### INTENDED USE

The S-Q 8 perforated steel tubular sign support system is a three (3) post sign support slip base system. The system utilizes drivable anchor sleeves with a soil bearing plate in standard soil. The sign support system was successfully crash tested to TL-3 in accordance with MASH 2016 guidelines. This system meets the requirements of the AASHTO *LRFD Specifications for Structural Supports for Highway Signs, Luminaires, and Traffic Signals, 1st Edition*.

### FEATURES

The S-Q 8 perforated steel tubular sign support system consists of three (3) 2.50 inch 12 GA square perforated steel signposts and three (3) 3.00 inch 7 GA square steel anchor sleeves with soil bearing plate (sheet 3 of 4). The slip base system consists of a slip base stub, bolt keeper plate and slip base casting. The slip base stub is secured to the anchor sleeve with two (2) Ø3/8" shoulder bolts and the slip base casting is secured to the slip base stub with three (3) Ø1/2" bolts and nuts. The signposts slide into the slip base castings and are secured in place by two (2) Ø3/8" shoulder bolts and nuts. The material for the anchor sleeves conforms to ASTM A500 and the soil plate steel conforms to ASTM A36. The pre-coated steel material for the perforated signposts conforms to ASTM A653. The exterior surface of the signposts is coated with minimum 0.5 mils clear acrylic polymer.

### ELIGIBILITY

The S-Q 8 3-Post perforated steel slip base sign support system has been tested to MASH 2016 Test Level 3 and is eligible for Federal reimbursement by FHWA.

FHWA Eligibility Letter(s): SS-189 dated March 3, 2023 for MASH 2016 Test Level 3.

### REFERENCES

*Manual for Assessing Safety Hardware (MASH)*, American Association of State Highway and Transportation Officials (AASHTO), 2016.

### CONTACT INFORMATION

15601 Dallas Parkway, Suite 525 Addison, TX 75001  
Telephone: (888) 323-6374  
[www.valtir.com](http://www.valtir.com)

## S-Q 8 SLIP BASE SIGN SUPPORT SYSTEM - 3-POST

**SSS23a**

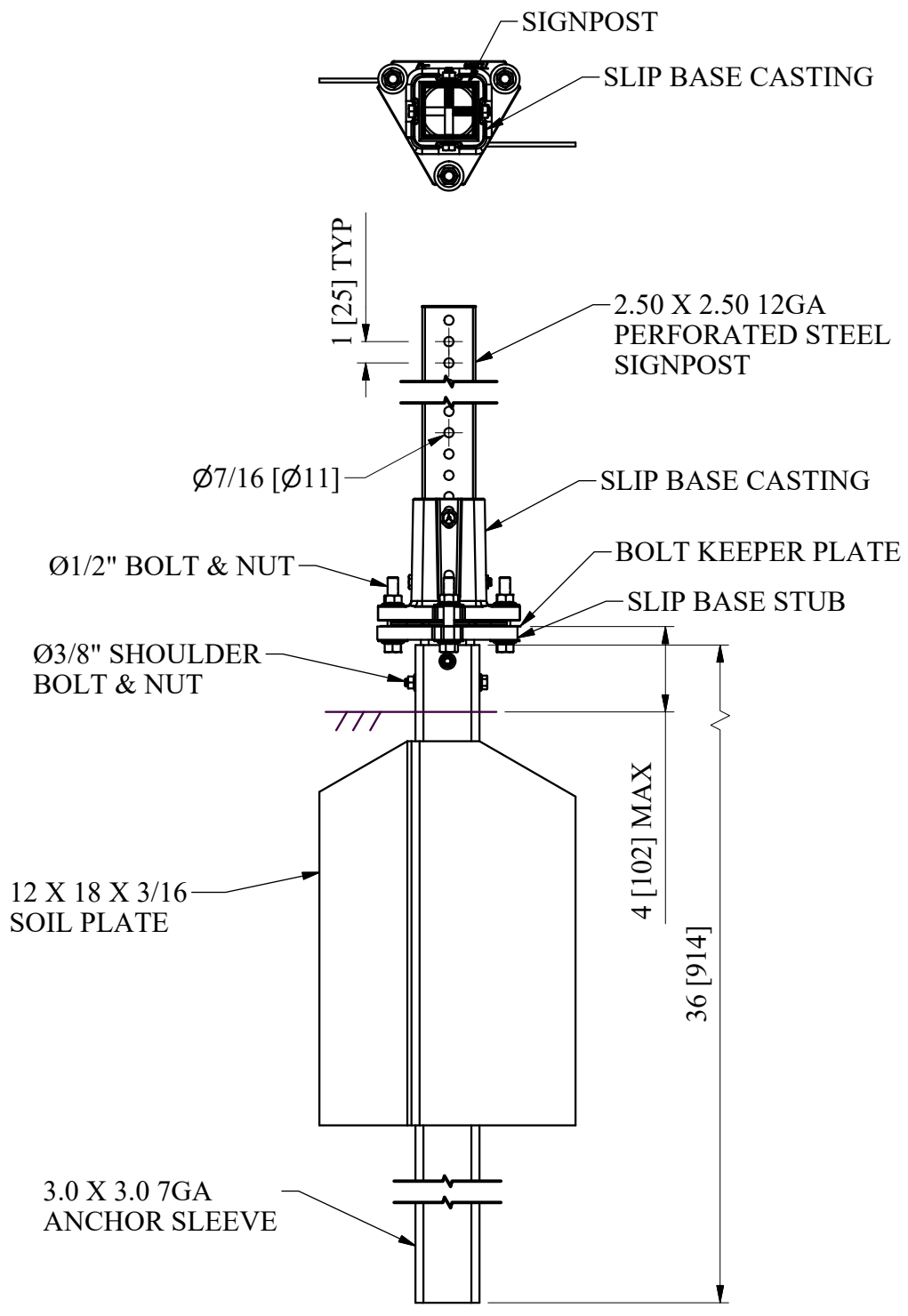
SHEET NO.

DATE

2 of 4

4/22/2024





SIGNPOST/ANCHOR SLIP BASE CONNECTION

2024

**S-Q 8 SLIP BASE SIGN SUPPORT SYSTEM - 3-POST**



**SSS23a**

SHEET NO.	DATE
3 of 4	4/22/2024

This page left blank

**S-Q 8 SLIP BASE SIGN SUPPORT SYSTEM - 3-POST**

**SSS23a**

SHEET NO.

DATE

4 of 4

4/22/2024

