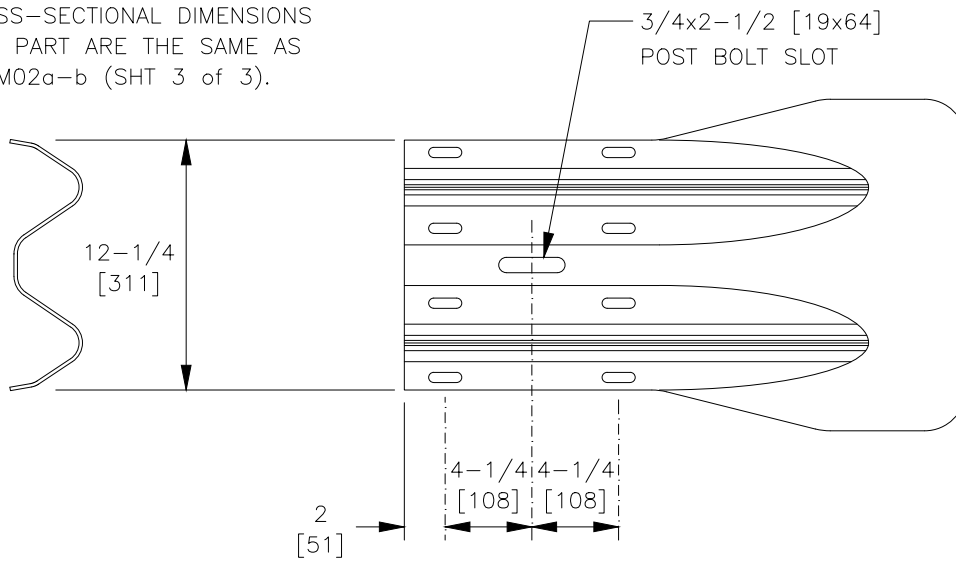


THE CROSS-SECTIONAL DIMENSIONS FOR THIS PART ARE THE SAME AS PART RWM02a-b (SHT 3 of 3).



DESIGNATOR	BASE METAL THICKNESS
RWE01a	12 Gage [2.67]
RWE01b	10 Gage [3.43]

W-BEAM END SECTION (FLARED)



RWE01a-b

SHEET NO.	DATE
1 of 2	3/18/2024

SPECIFICATIONS

W-Beam End Sections shall conform to the current requirements of AASHTO M180. RWE01a shall conform to AASHTO M180 Class A, and RWE01b shall conform to Class B.

Dimensional tolerances not shown or implied are intended to be those consistent with the proper functioning of the part, including its appearance and accepted manufacturing practices.

INTENDED USE

RWE01a-b End Sections are used in various W-Beam guardrail systems.

CONTACT INFORMATION

Task Force 13 (TF13)
a Non-Profit Association
<https://TF13.org>

W-BEAM END SECTION (FLARED)

RWE01a-b



SHEET NO.

DATE

2 of 2

3/18/2024