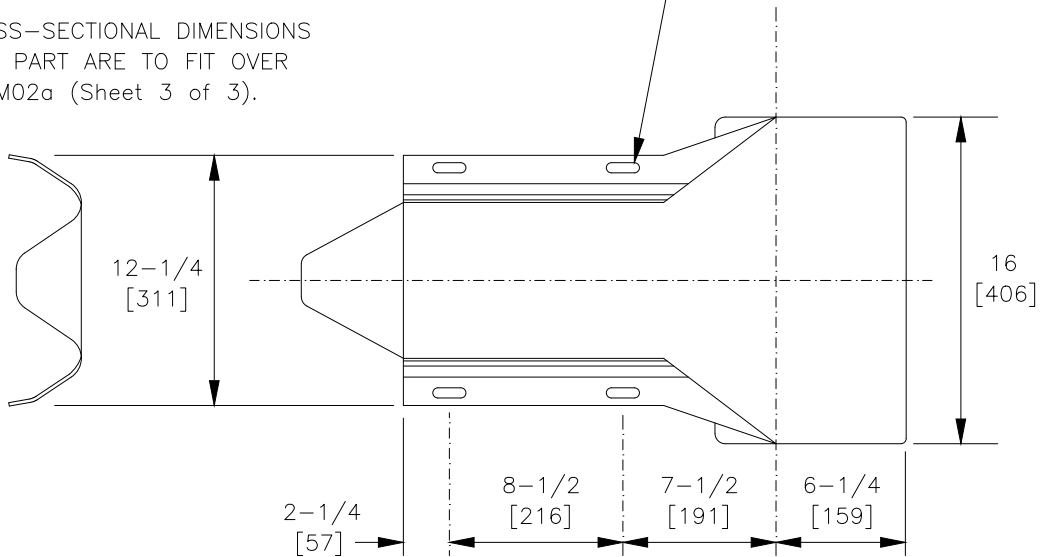


29/32x1-1/8 [23x29]  
SPLICE BOLT SLOT (TYP)

THE CROSS-SECTIONAL DIMENSIONS  
FOR THIS PART ARE TO FIT OVER  
PART RWM02a (Sheet 3 of 3).



DESIGNATOR	BASE METAL THICKNESS
RWE03a	12 Gage [2.67]

## W-BEAM END SECTION (ROUNDED)



RWE03a

SHEET NO.	DATE
1 of 2	5/16/2024

## SPECIFICATIONS

RWE03a Rounded W-Beam End Sections shall conform to the current requirements of AASHTO M180 Class A.

Dimensional tolerances not shown or implied are intended to be those consistent with the proper functioning of the part, including its appearance and accepted manufacturing practices.

## INTENDED USE

RWE03a Rounded End Sections are used in various W-Beam guardrail systems.

## CONTACT INFORMATION

Task Force 13 (TF13)  
a Non-Profit Association  
<https://TF13.org>

## W-BEAM END SECTION (ROUNDED)

**RWE03a**



SHEET NO.

DATE

2 of 2

5/16/2024