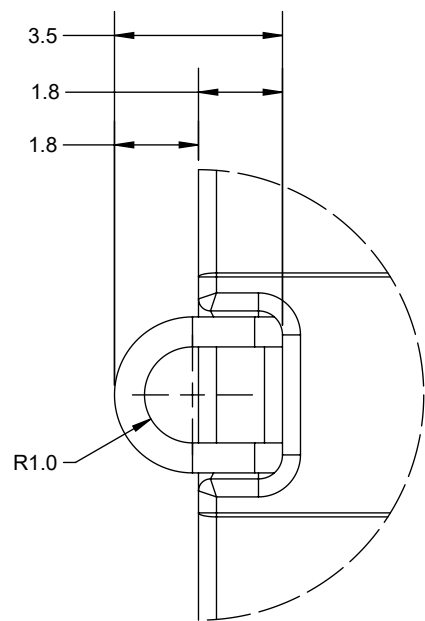
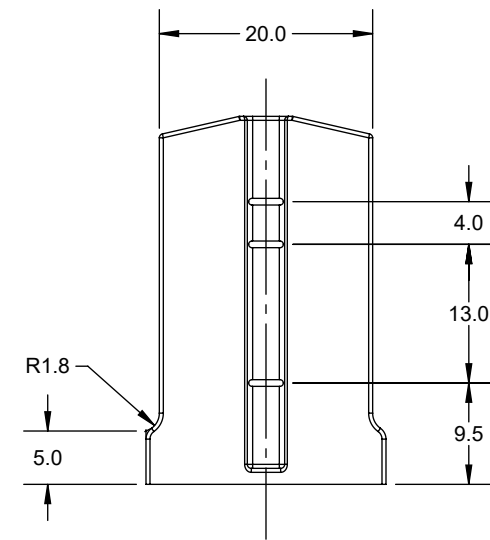
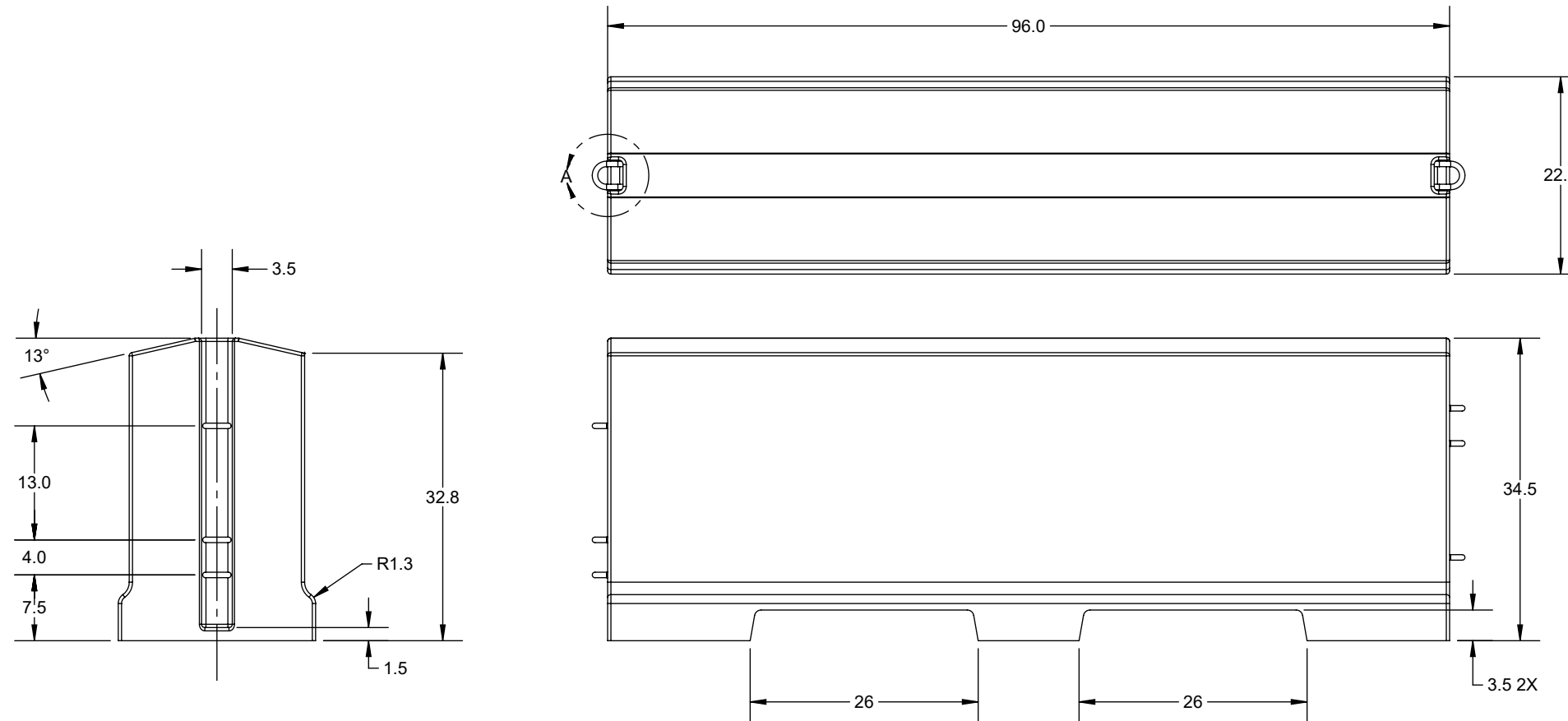
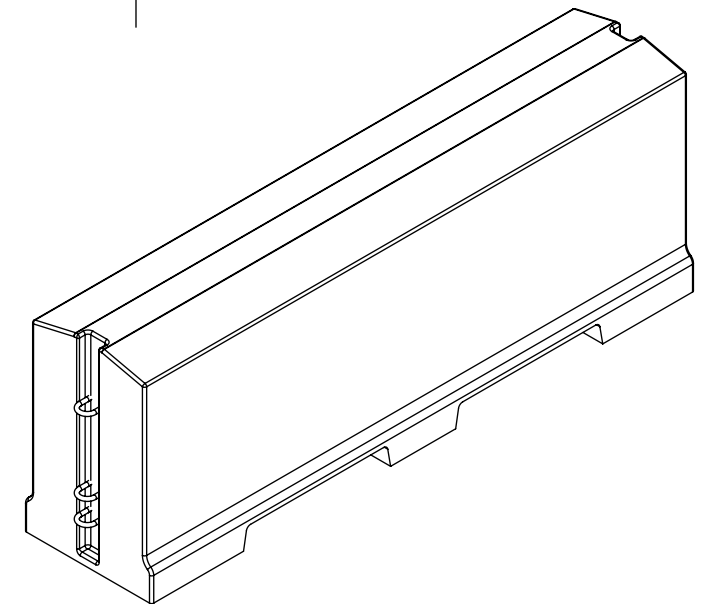



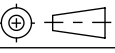
- NOTES:  
 1. MANUFACTURE ACCORDING TO ELECTRONIC PROFILE UNLESS OTHERWISE SPECIFIED. DIMENSIONS INDICATED ARE FOR REFERENCE OR QA ONLY.  
 2. WEIGHT: 2400 LBS.  
 3. MATERIAL:  
 1. PRETRED PROPRIETARY RUBBER MIX  
 2. REBAR: #5 A706 GRADE 60 MINIMUM  
 3. PLATE: A36 STEEL MINIMUM

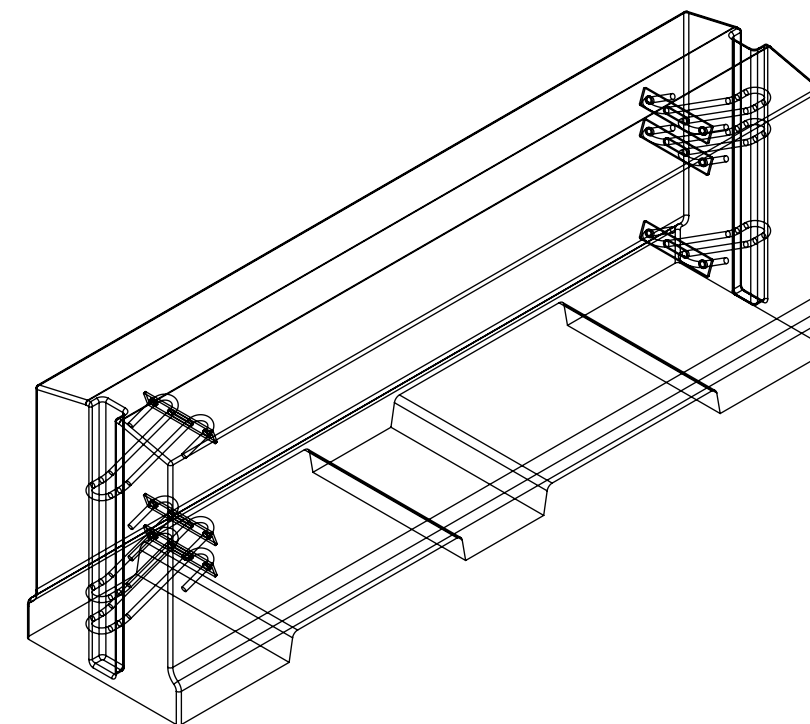
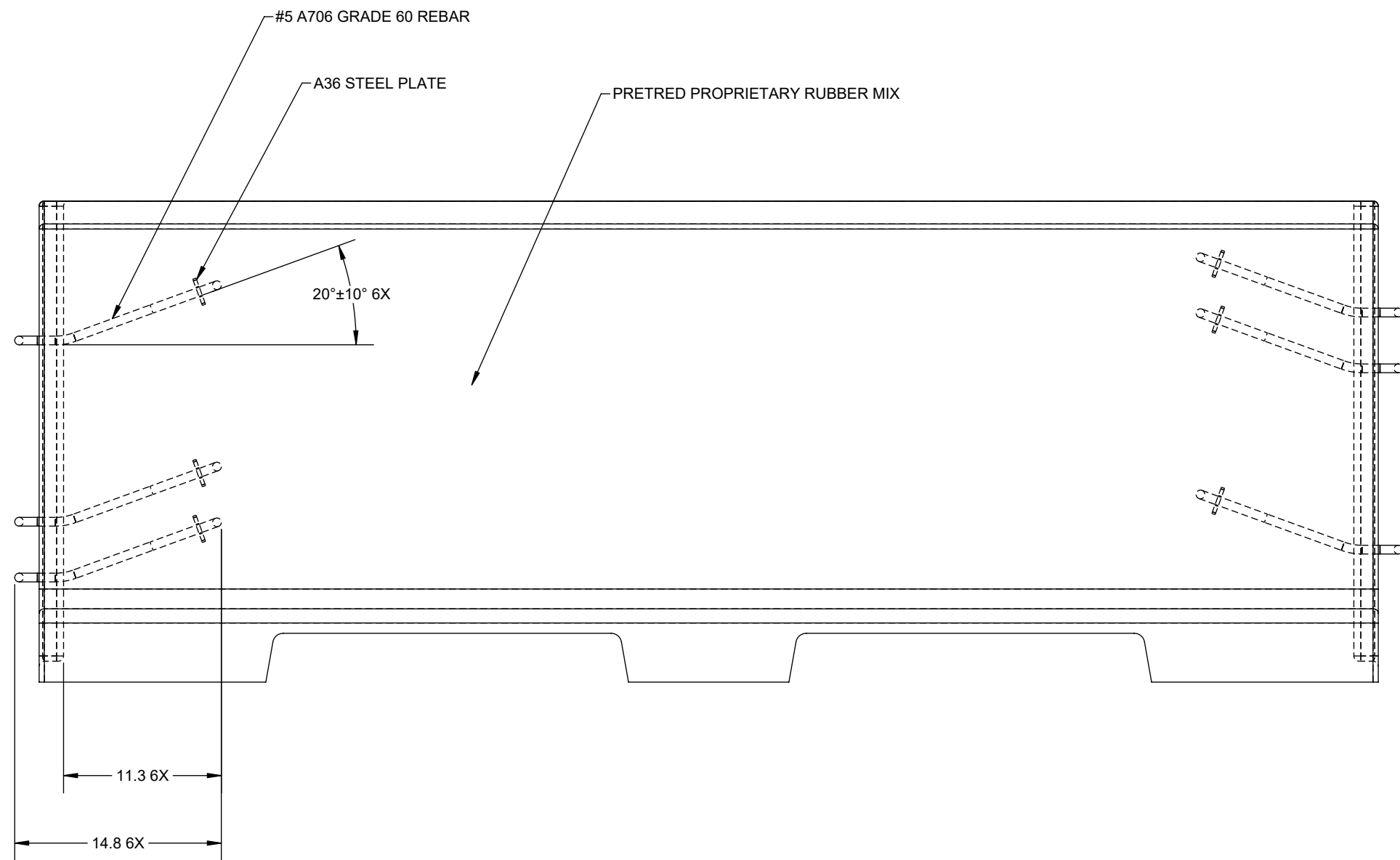
REVISIONS			
REV.	DESCRIPTION	DATE	APPROVED
IR	INITIAL RELEASE	7/11/2024	VPOWELL
A	PRODUCTION RELEASE	9/4/2024	VPOWELL
B	ADDED DETAIL VIEW AND LOOP END DIMS	12/17/2024	GRQ




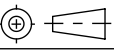
DETAIL A  
SCALE 1 : 4



 <p><b>PRETRED</b> BUILD A BETTER WAY</p>	TOLERANCES UNLESS OTHERWISE NOTED DIM   MM    INCH .X   ±6.35   ±.25 .XX  ±3.175 ±.125	PRIMARY UNITS: INCHES SECONDARY UNITS: [MM]  THIRD ANGLE PROJECTION ANGLES ± 1.0°	PROJECT COLORADO BARRIER	DESCRIPTION <b>Pretred, 8ft TL2, Sustainable Rubber Barrier</b>
	PROPRIETARY AND CONFIDENTIAL The information in this drawing is the sole property of Pretred Inc. Any reproduction in part or as a whole without written permission from Pretred Inc. is prohibited.		DRAWN BY: GRQ DRAWN DATE: 7/8/2024 SCALE: DO NOT SCALE	PART NUMBER: RW-10-DOT-9622345-BK-FS PAGE 1 OF 2 REV. B



SEE PAGE (1) FOR NOTES, REVISIONS & MATERIALS.

 <b>PRETRED</b> BUILD A BETTER WAY	TOLERANCES UNLESS OTHERWISE NOTED		PRIMARY UNITS: INCHES SECONDARY UNITS: [MM]		PROJECT  COLORADO BARRIER	DESCRIPTION <b>Pretred, 8ft TL2, Sustainable Rubber Barrier</b>		
	DIM	MM	INCH	 THIRD ANGLE PROJECTION		DRAWN BY:	GRQ	PART NUMBER:
	.X	±6.35	±.25			ANGLES ± 1.0°	DRAWN DATE:	7/8/2024
.XX	±3.175	±.125	PROPRIETARY AND CONFIDENTIAL The information in this drawing is the sole property of Pretred Inc. Any reproduction in part or as a whole without written permission from Pretred Inc. is prohibited.		SCALE:	DO NOT SCALE	PAGE 2 OF 2	REV. B